

C-90L LOCK & EDGE PULL ONLY

PRODUCT DETAIL

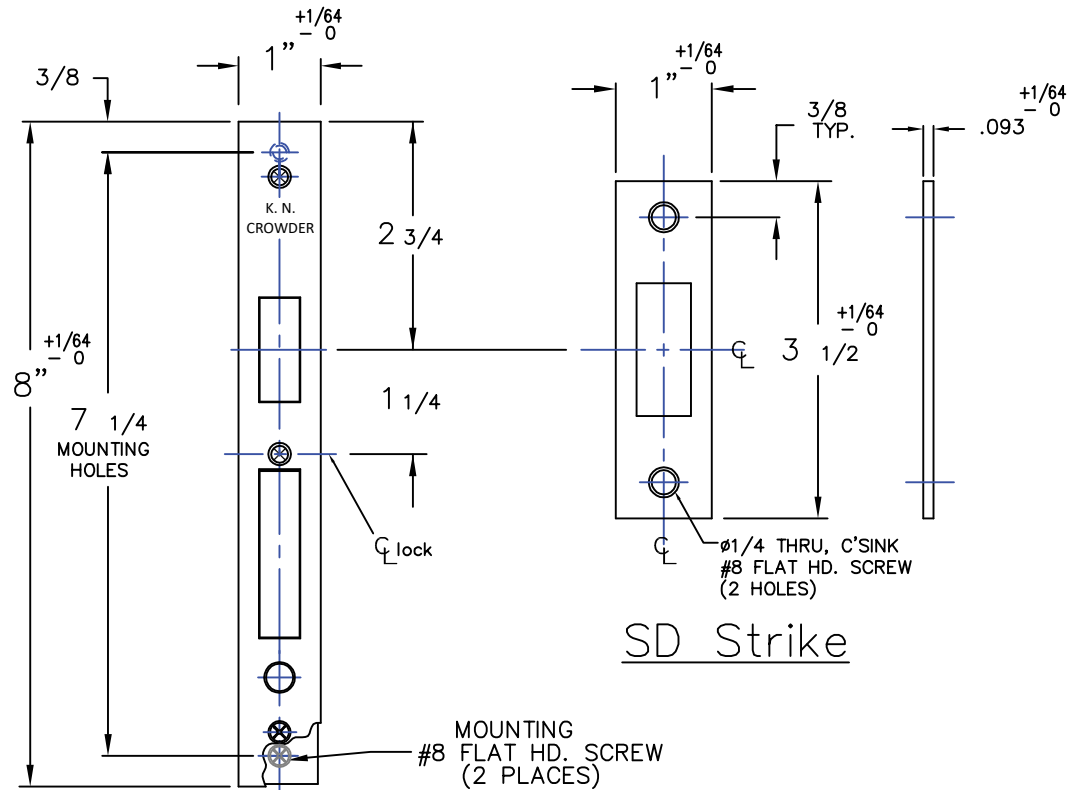
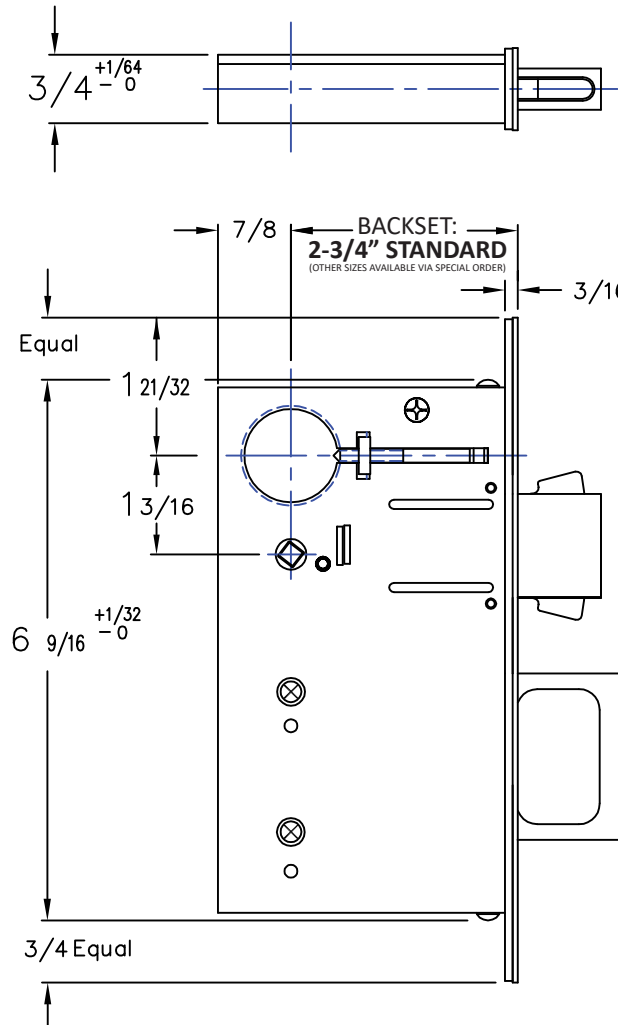
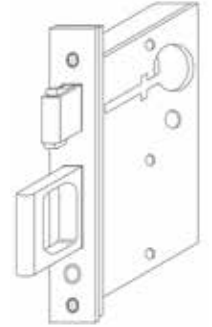
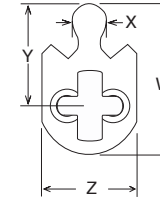


SPECIFICATIONS:

CASE: Heavy Gauge Wrought
 ARMOR FRONT: Brass, Bronze, Stainless
 DEAD BOLT: 1/2" Thick x 1-7/32" High x 1" Throw
 PULL: 1/2" Thick x 2" High x 1-1/4" Throw
 THUMB TURN HUB: 3/16" On the Diamond
 CAM SPECIFICATIONS: See details of cam required for Cylinders used with the C-90L Lock & Pull

CAM REQUIRED:

Dimensions
 W = 1.000"
 X = .232"
 Y = .729"
 Z = .694"



K.N. CROWDER MFG. INC.
 1220 BURLOAK DRIVE
 BURLINGTON, ONTARIO, CANADA, L7L 6B3
 TOLL-FREE PHONE: 1-866-999-1KNC (1562)
 TOLL-FREE FAX: 1-800-567-0123

WEBSITE: www.kncrowder.com --- EMAIL: customerservice@kncrowder.com

K.N. CROWDER INC.
 210 EIGHTH STREET SOUTH
 LEWISTON, NEW YORK, U.S.A. 14092
 TOLL-FREE PHONE: 1-866-999-1KNC (1562)
 TOLL-FREE FAX: 1-800-567-0123

© 2018 K.N. CROWDER MFG. INC. All Rights Reserved.

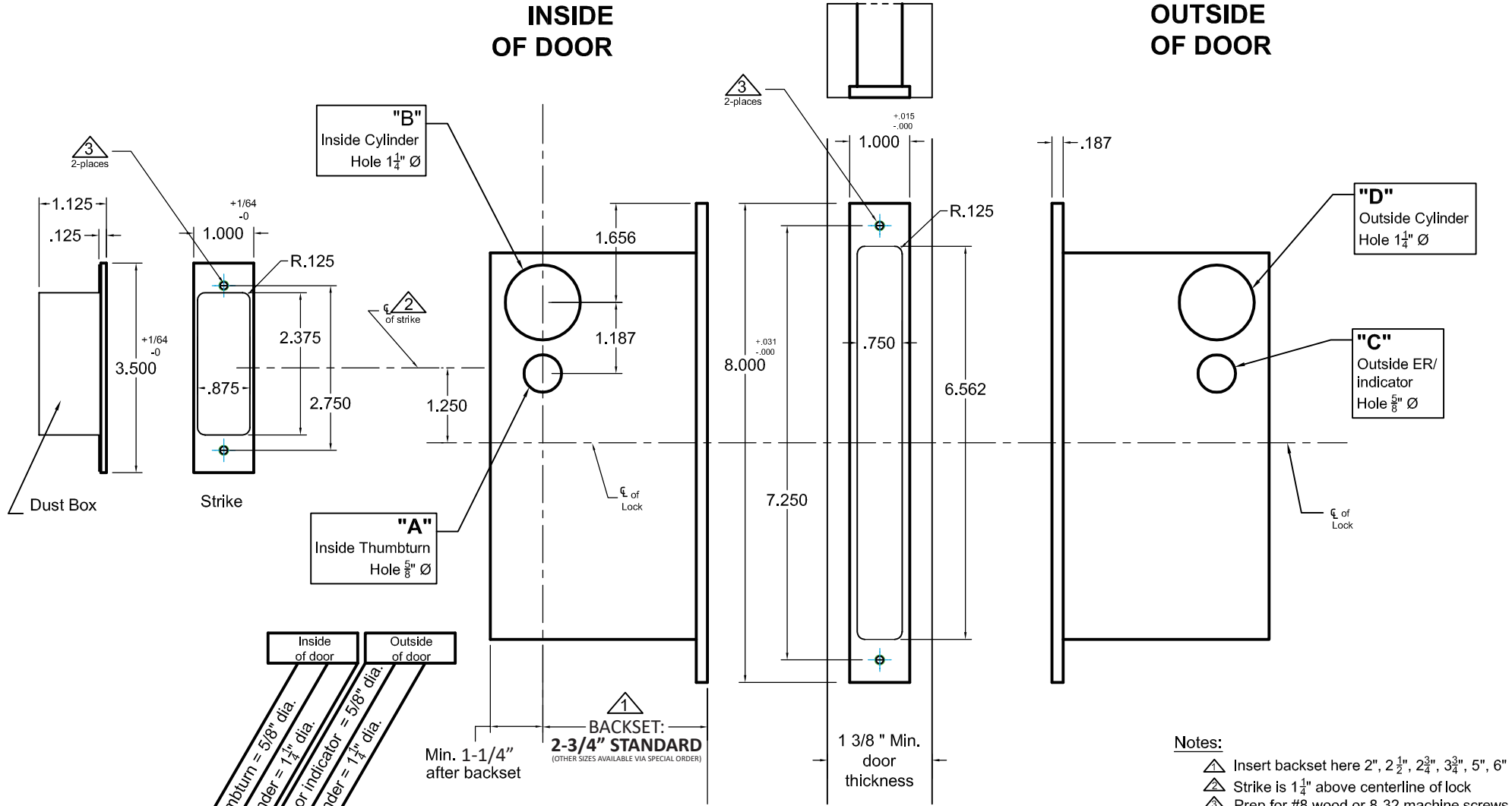
C-90L LOCK & EDGE PULL ONLY

DOOR PREP TEMPLATE



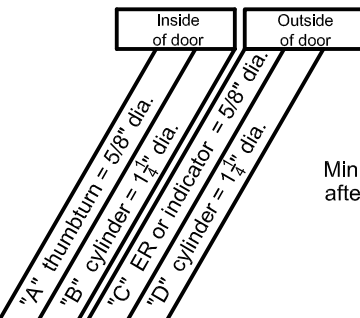
INSIDE
OF DOOR

OUTSIDE
OF DOOR



Lock Functions	Inside of door	Outside of door
BY KEY OUTSIDE ONLY (C-90C)		●
BY KEY OUTSIDE & INSIDE (C-90C X 2)	●	●
BY KEY OUTSIDE SIDE (C-90C) & THUMB TURN INSIDE (C-90T)	●	●
BY THUMB TURN INSIDE ONLY (C-90T)	●	
BY THUMB TURN INSIDE (C-90T) & EMERGENCY KEY OUTSIDE (C-90E)	●	●

● Required Holes



K.N. CROWDER MFG. INC.
1220 BURLOAK DRIVE
BURLINGTON, ONTARIO, CANADA, L7L 6B3
TOLL-FREE PHONE: 1-866-999-1KNC (1562)
TOLL-FREE FAX: 1-800-567-0123

K.N. CROWDER INC.
210 EIGHTH STREET SOUTH
LEWISTON, NEW YORK, U.S.A. 14092
TOLL-FREE PHONE: 1-866-999-1KNC (1562)
TOLL-FREE FAX: 1-800-567-0123