

# C-92L LOCK BODY ONLY

## PRODUCT DETAIL

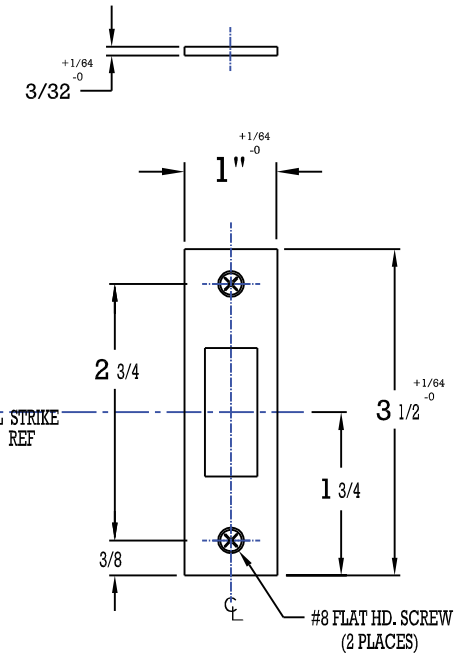
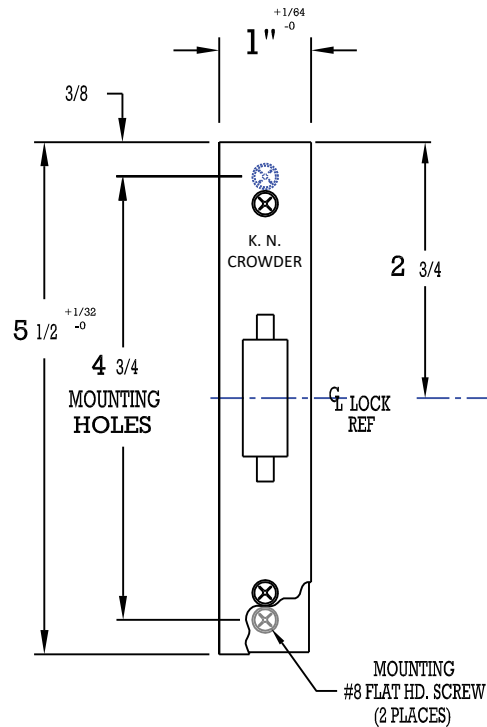
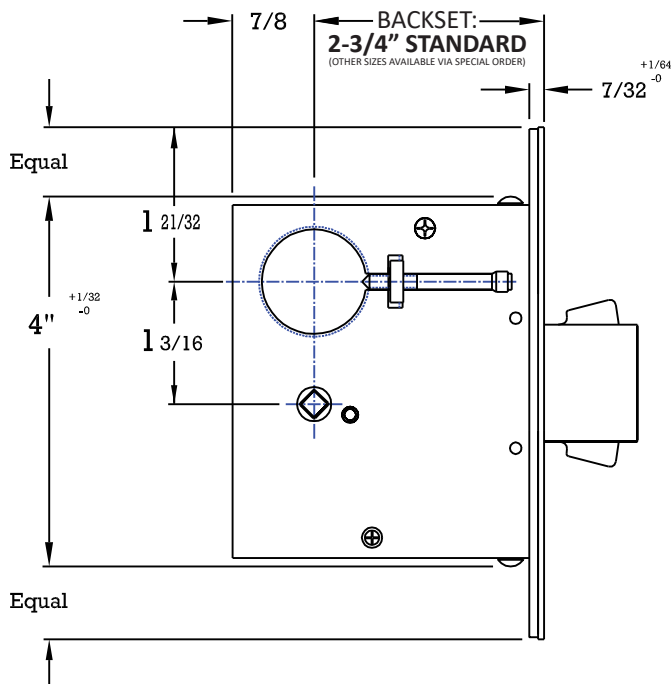
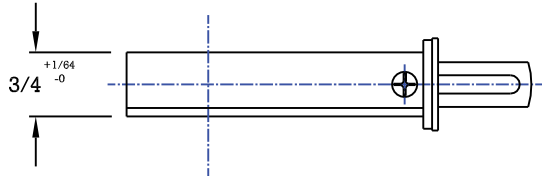
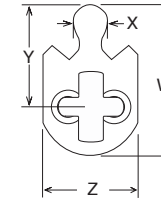


### SPECIFICATIONS:

CASE: Heavy Gauge Wrought  
 ARMOR FRONT: Brass, Bronze, Stainless  
 DEAD BOLT: 1/2" Thick x 1-7/32" High x 1" Throw  
 THUMB TURN HUB: 3/16" On the Diamond  
 CAM SPECIFICATIONS: See details of cam required for Cylinders used with the C-90L Lock & Pull

### CAM REQUIRED:

Dimensions  
 W = 1.000"  
 X = .232"  
 Y = .729"  
 Z = .694"

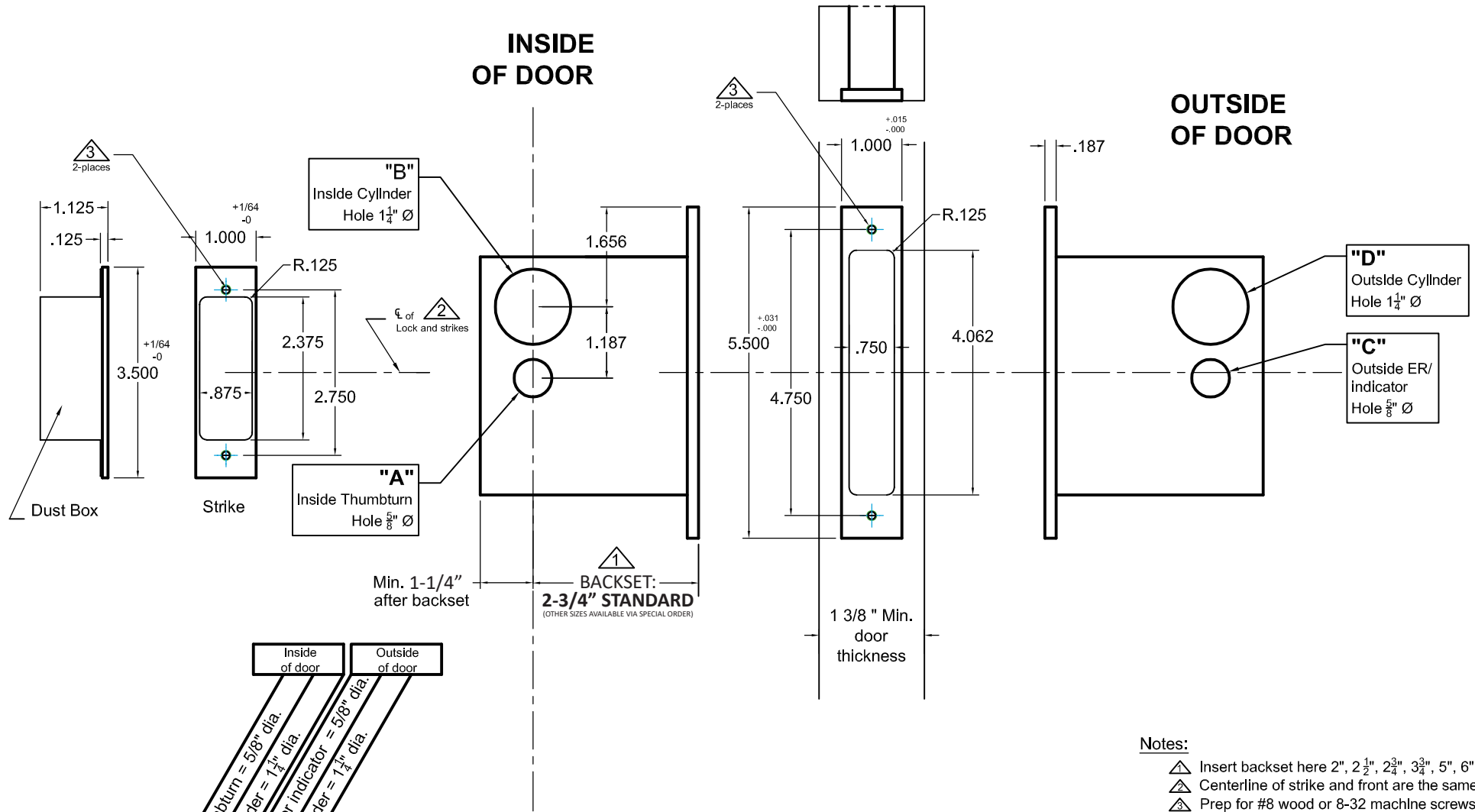


**K.N. CROWDER MFG. INC.**  
 1220 BURLOAK DRIVE  
 BURLINGTON, ONTARIO, CANADA, L7L 6B3  
 TOLL-FREE PHONE: 1-866-999-1KNC (1562)  
 TOLL-FREE FAX: 1-800-567-0123

**K.N. CROWDER INC.**  
 210 EIGHTH STREET SOUTH  
 LEWISTON, NEW YORK, U.S.A. 14092  
 TOLL-FREE PHONE: 1-866-999-1KNC (1562)  
 TOLL-FREE FAX: 1-800-567-0123

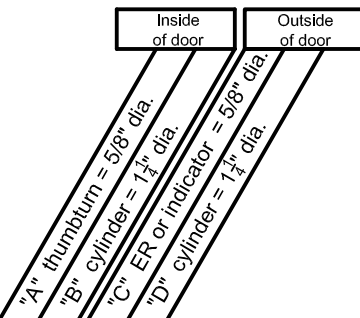
# C-92L LOCK BODY ONLY

## DOOR PREP TEMPLATE



Lock Functions	Inside of door	Outside of door
BY KEY OUTSIDE ONLY (C-90C)		●
BY KEY OUTSIDE & INSIDE (C-90C X 2)	●	●
BY KEY OUTSIDE SIDE (C-90C) & THUMB TURN INSIDE (C-90T)	●	●
BY THUMB TURN INSIDE ONLY (C-90T)	●	
BY THUMB TURN INSIDE (C-90T) & EMERGENCY KEY OUTSIDE (C-90E)	●	●

● Required Holes



- Notes:**
- △ Insert backset here 2", 2 1/2", 2 3/4", 3 3/4", 5", 6"
  - △ Centerline of strike and front are the same.
  - △ Prep for #8 wood or 8-32 machine screws.

**Additional Notes:**

- **Responsibility:** Door and frame manufacturers are responsible for providing adequate construction or re-inforcement for proper installation of hardware shown.



**K.N. CROWDER MFG. INC.**  
 1220 BURLOAK DRIVE  
 BURLINGTON, ONTARIO, CANADA, L7L 6B3  
 TOLL-FREE PHONE: 1-866-999-1KNC (1562)  
 TOLL-FREE FAX: 1-800-567-0123

**K.N. CROWDER INC.**  
 210 EIGHTH STREET SOUTH  
 LEWISTON, NEW YORK, U.S.A. 14092  
 TOLL-FREE PHONE: 1-866-999-1KNC (1562)  
 TOLL-FREE FAX: 1-800-567-0123