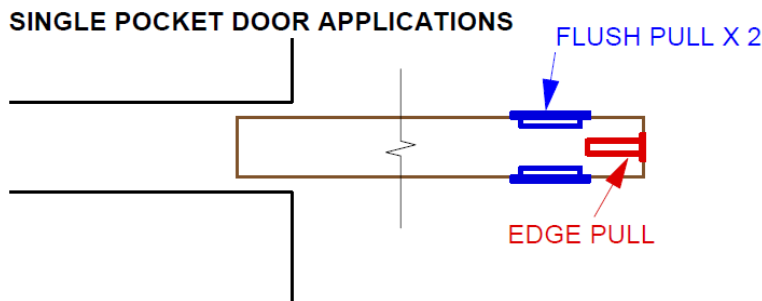


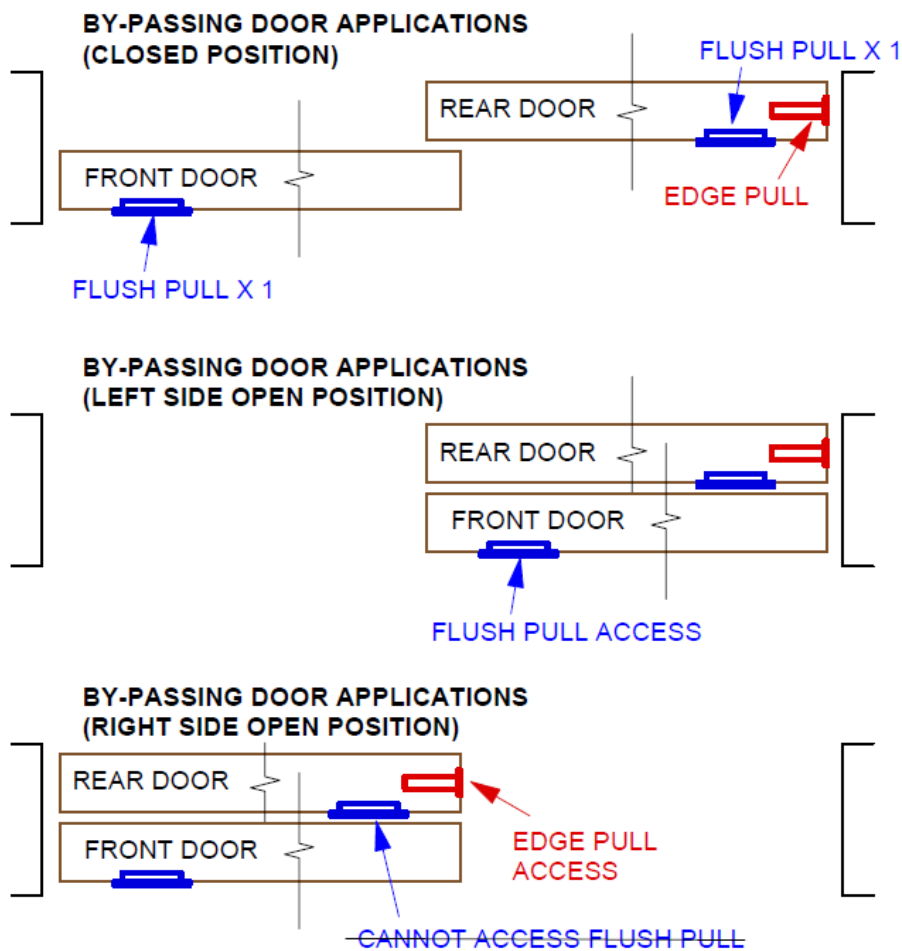
DOOR PASSAGE SETS – EDGE PULL & FLUSH PULLS COMBINATION SETS GUIDELINES:

Edge Pull complete with two Flush Pulls Passage combination sets are ideal for Single Doors and 2 Door By-passing kits. Please see below for KNC recommendations for these Passage combination sets:

For a single pocket door, you would use these combination sets for having one flush pull on each face of the door and the edge pull in the front edge of the door as shown below:



For 2 door by-passing kits, we suggest using one flush pull on each door on the outside faces for accessing closet. The C-21 (or similar) Edge Pull would be installed on the edge of the rear door on the same end of the flush pull in order to access this rear door when open. The reason for this is because when the rear door is behind the other door, you will not have access to the flush pull therefore the C-21 gives you this access instead of having to “grab” the edge of this rear door to close the closet. See illustration below for example:



These new combination sets that can be found under the “Door Passage Set Options” section of the new DLP Website and Price List. The combination sets that are available are:

- **C-91-BB** (C-91 Edge Pull with two C-90B Blank Flush Pulls)
- **C-61-RBB** (C-61 Edge Pull with two C-60RB Round Blank Flush Pulls)
- **C-61-SBB** (C-61 Edge Pull with two C-60SB Square Blank Flush Pulls)
- **C-2190B** (C-21 Edge Pull with two C-90B Blank Flush Pulls)
- **C-2171** (C-21 Edge Pull with two C-71 Rectangular Flush Pulls)
- **C-2172** (C-21 edge pull with two C-72 Oval Flush Pulls)