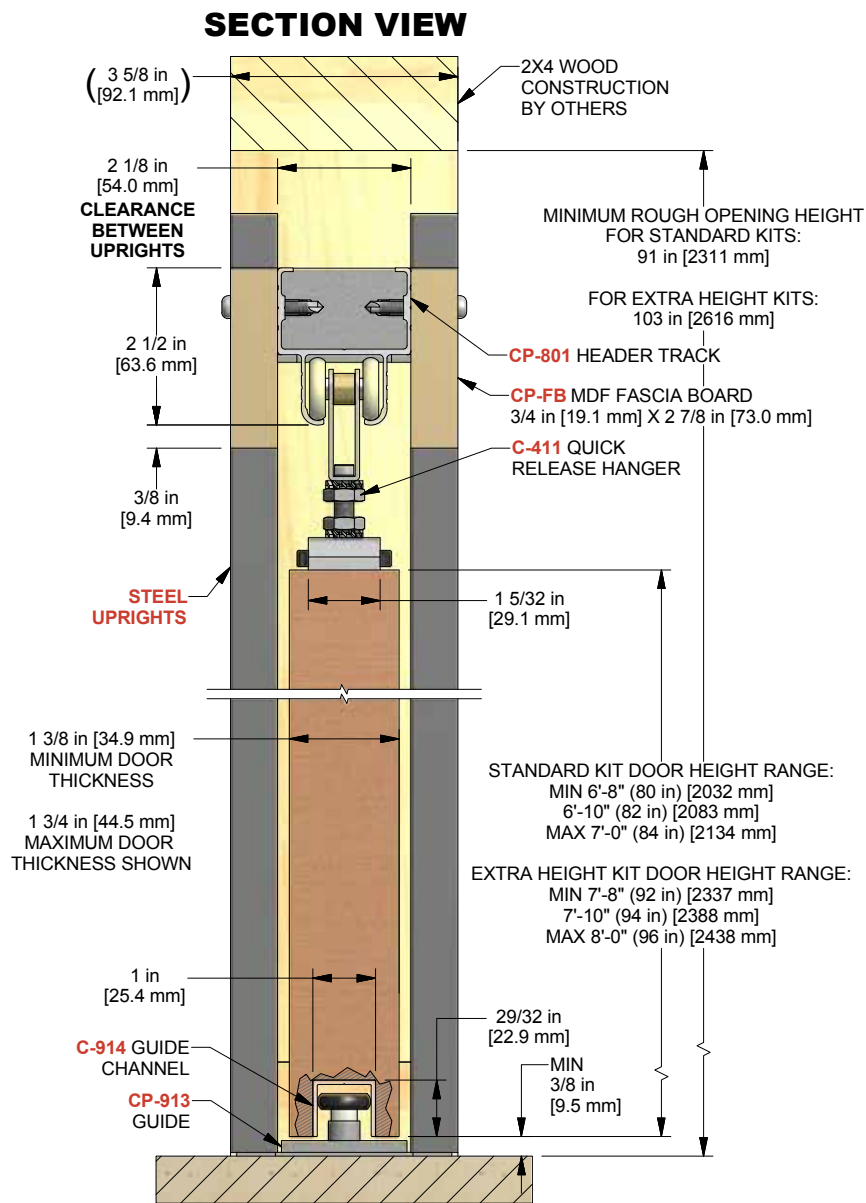


C-914/CP-913 GUIDE SYSTEM FOR TYPE C/B CROWDERFRAME POCKET DOOR KITS

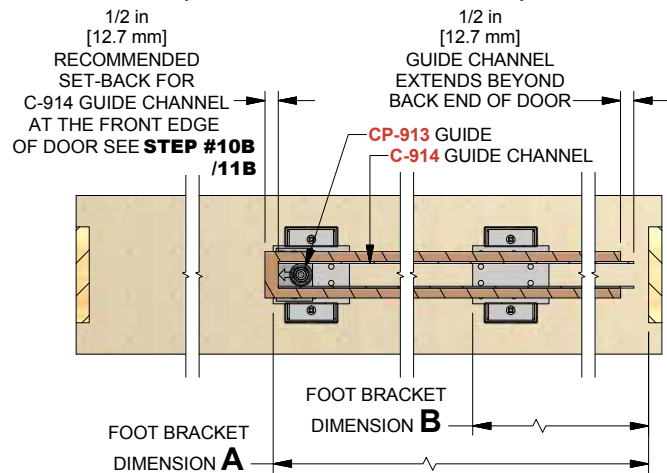
INSTRUCTION SHEET



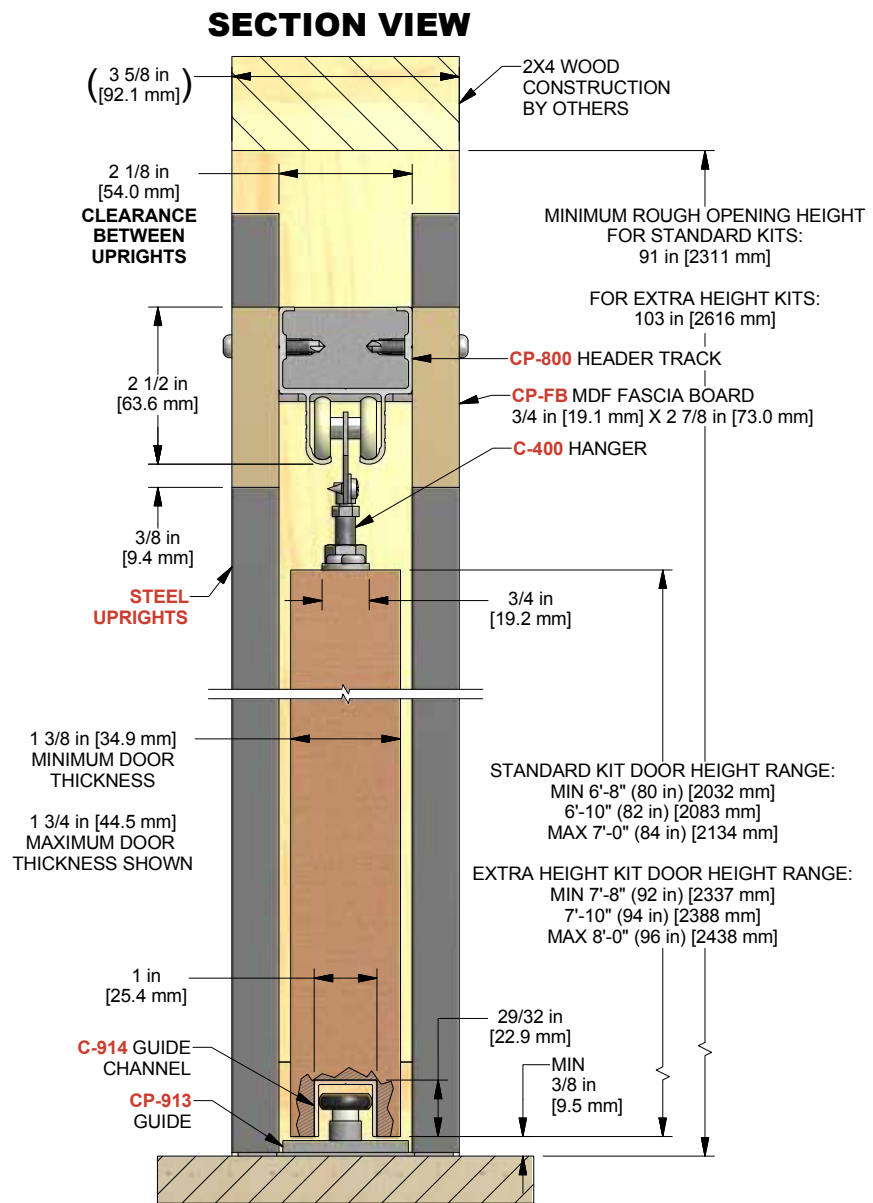
TYPE C CROWDERFRAME POCKET DOOR KIT DIMENSION DETAILS (WITH C-914/CP-913 GUIDE SYSTEM)



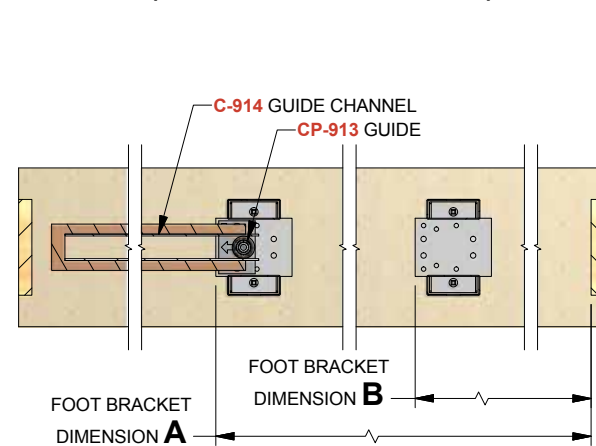
PLAN VIEW (DOOR IN OPENED POSITION)



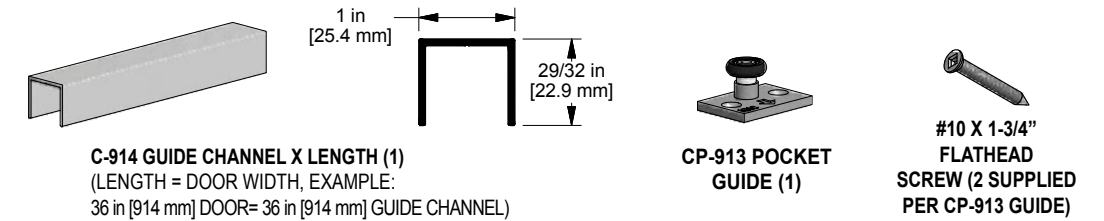
TYPE B CROWDERFRAME POCKET DOOR KIT DIMENSION DETAILS (WITH C-914/CP-913 GUIDE SYSTEM)



PLAN VIEW (DOOR IN CLOSED POSITION)



PARTS REQUIRED



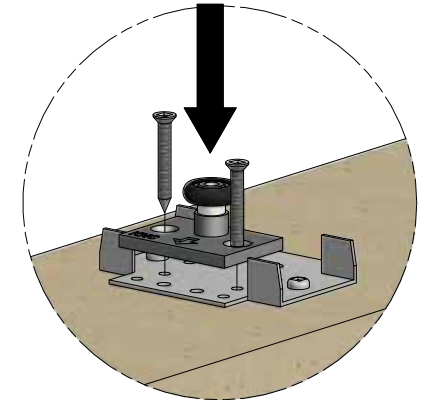
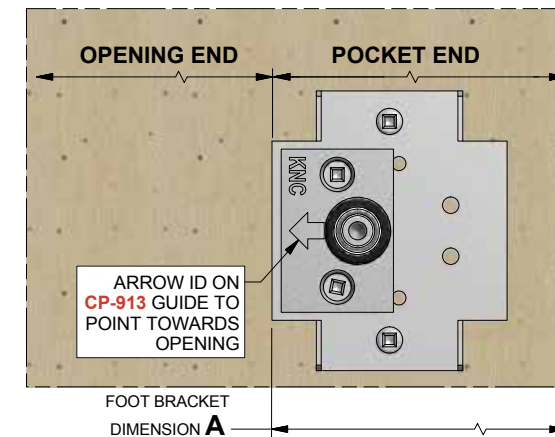
INSTALLATION INSTRUCTIONS FOR C-914/CP-913 GUIDE SYSTEM

STEPS #1 TO 7 OR 8:

FOLLOW STEPS FROM TYPE B (STEPS #1 TO 8) OR TYPE C (STEPS #1 TO #7) SINGLE DOOR POCKET KIT INSTRUCTION SHEETS.

STEP #8 OR 9:

INSTEAD OF STEP #9 FROM TYPE B OR STEP #8 FROM TYPE C INSTRUCTION SHEET, PLEASE FOLLOW THE FOLLOWING STEP: PLACE CP-913 GUIDE (1) ON FOOT BRACKET CLOSEST TO THE OPENING END AND SECURE WITH #10 X 1-3/4" FLATHEAD SCREWS (2). **NOTE: ENSURE THE ARROW ID ON THE CP-913 BASE IS FACING TOWARDS THE OPENING AS SHOWN BELOW.**

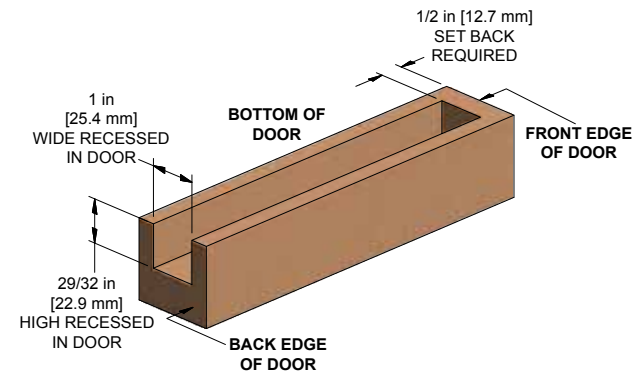


STEPS #9 OR 10 TO 10 OR 11:

FOLLOW STEPS FROM TYPE B (STEPS #10 TO 11) OR TYPE C (STEPS #9 TO #10) SINGLE DOOR POCKET KIT INSTRUCTION SHEETS.

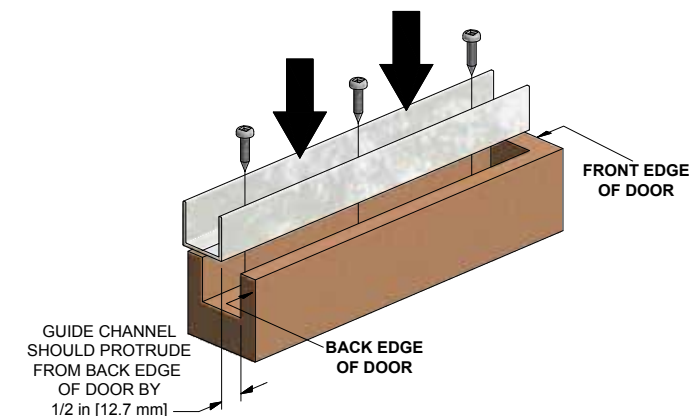
STEP #10B OR 11B:

IN BETWEEN STEPS #11 & 12 FROM TYPE B OR STEP #10 & 11 FROM TYPE C INSTRUCTION SHEET, PLEASE FOLLOW THE FOLLOWING STEP BEFORE PROCEEDING: PREPARE C-914 GUIDE CHANNEL SLOT IN THE BOTTOM OF THE DOOR 1 in [25.4 mm] WIDE IN CENTER OF DOOR, AND 29/32 in [23 mm] DEEP AND SET BACK 1/2 in [12.7 mm] FROM THE FRONT EDGE OF THE DOOR. IT IS RECOMMENDED TO MAKE THE SLOT AS ACCURATE AS POSSIBLE FOR SECURE FIT AND NEAT APPEARANCE. SEE RIGHT:



STEP #10C OR 11C:

AFTER ABOVE STEP, PLEASE FOLLOW THE FOLLOWING STEP BEFORE PROCEEDING. CUT C-914 ALUMINUM GUIDE CHANNEL TO CORRECT LENGTH AS REQUIRED. DRILL HOLES IN C-914 GUIDE CHANNEL AND PRE-DRILL HOLES IN DOOR. LOCATE C-914 GUIDE CHANNEL IN SLOT AND SCREW CHANNEL INTO PLACE WITH RECOMMENDED #8 SCREWS BY OTHERS. SEE RIGHT:



STEPS #11 OR 12 TO FINISH:

FOLLOW STEPS FROM TYPE B (STEPS #12) OR TYPE C (STEPS #11) TO COMPLETION ON THE SINGLE DOOR POCKET KIT INSTRUCTION SHEETS.

A PRODUCT OF K.N. CROWDER MFG. INC