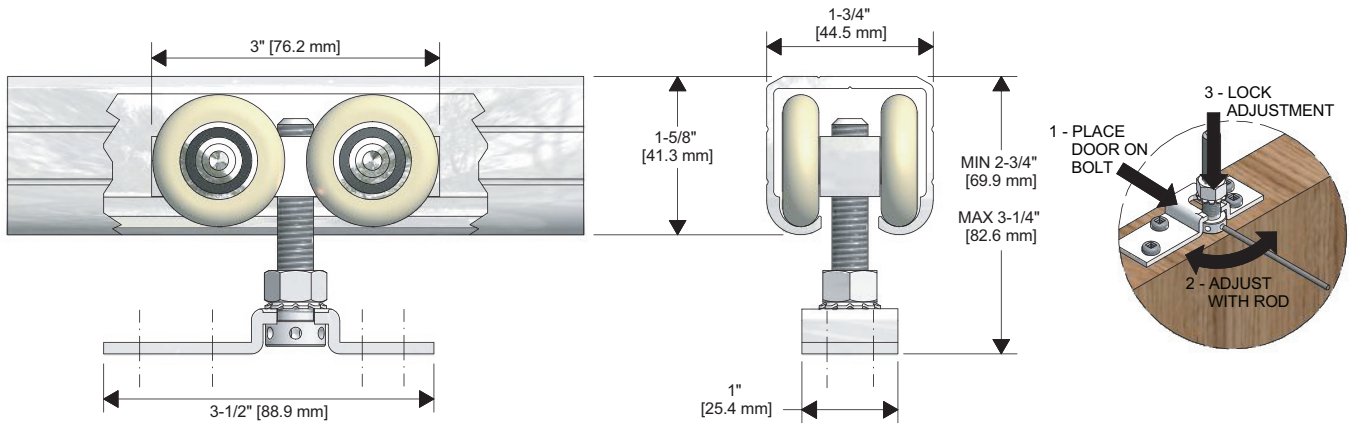


C-993



KEY FEATURES:

- Top mount easy connect hanger (**C-993**)
- Heavy-duty Steel hanger with quick disconnect stud for Single, Bi-parting, By-Passing, Pocket or Wall Mounted doors.
- Four Precision Ground Ball Bearing, Nylon Tire Wheels.
- Reduces installation time with easy connecting stud.
- Use with Extruded Aluminum **C-104** Track, 6063T5 Alloy
- Load Capacity **250lbs. (two hangers)**



Part Number:	Part Description:		
Customer Name:	Job Number/Name:	Date:	Provided By:
Notes:			