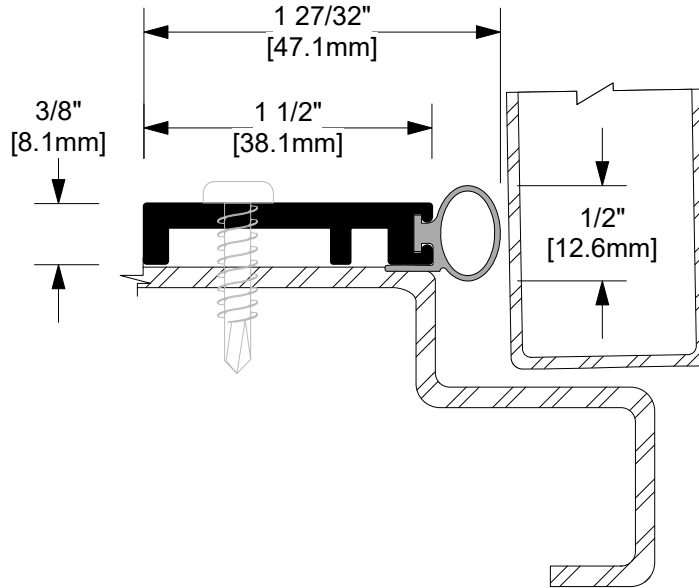


W-2050S



KEY FEATURES:

OPERATION:

- Weatherstrip

MATERIAL:

- Clear Anodized Extruded Aluminum with Silicone Insert (Large Bulb)

APPLICATION:

- Heavy Duty for all types
- Ideal for openings with bottom mount door Closers
- For -100°F (-80°C) to +570°F (+300°C)

Part Number:	Part Description:		
Customer Name:	Job Number/Name:	Date:	Provided By:
Notes:			