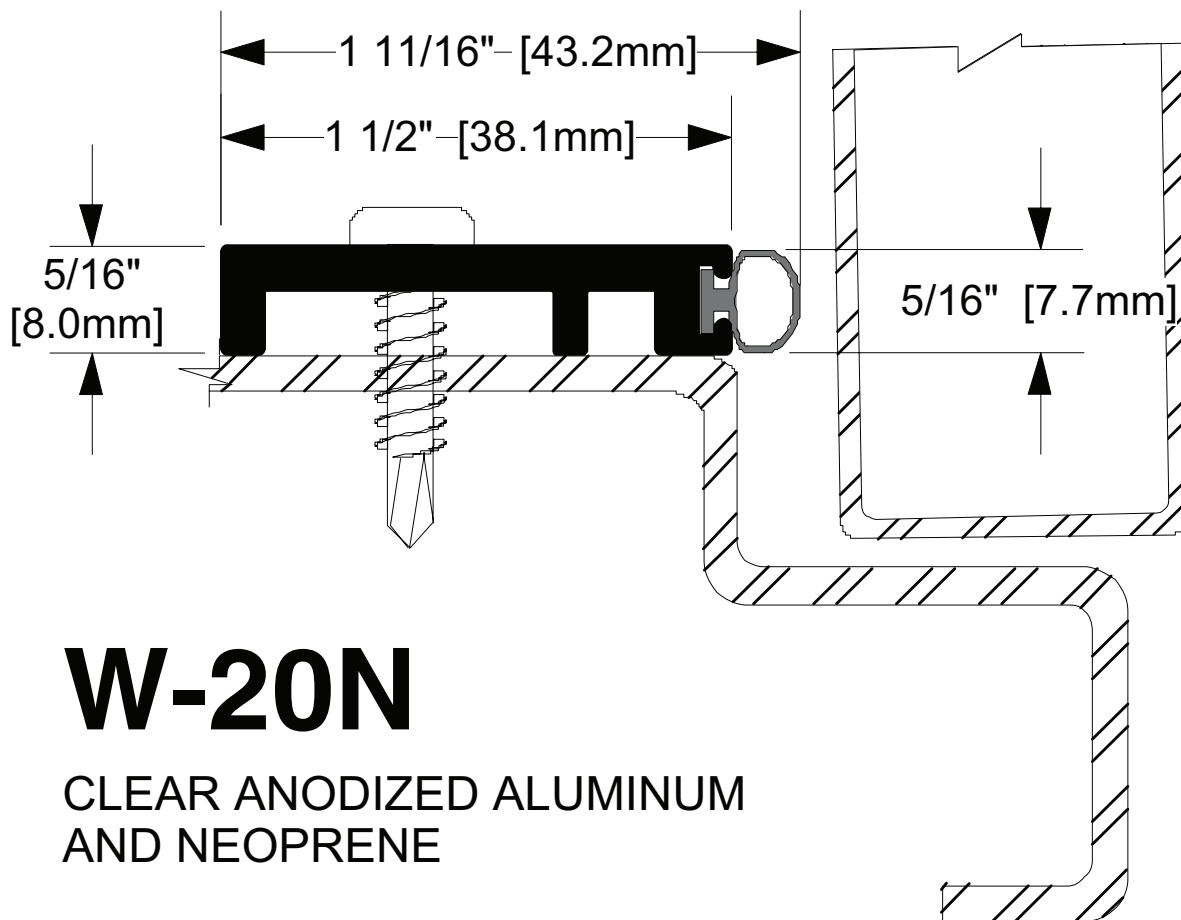


W-20N

Operation	Weatherstrip
Features	Clear Anod. Extruded Alum. w/Neoprene Insert
Application	Heavy Duty For All Types



W-20N

CLEAR ANODIZED ALUMINUM
AND NEOPRENE

Part No.	Part Description		
Customer Name	Job No./Name	Date	Provided By
Note			