

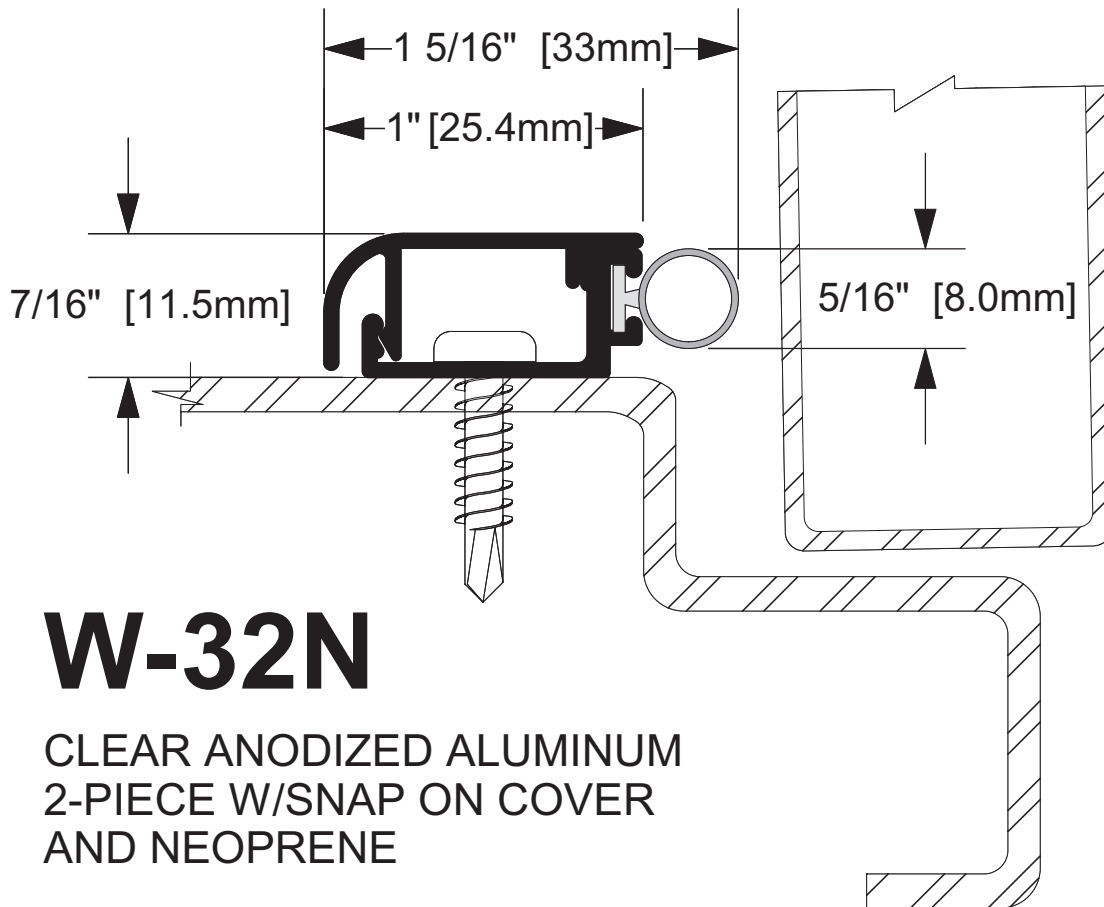


**Canada**  
 K.N. CROWDER MFG. INC.  
 1220 Burloak Drive  
 Burlington, Ontario  
 L7L 6B3  
 Telephone (905) 315-9788  
 Toll Free Fax 1-800-567-0123  
 customerservice@kncrowder.com

**USA**  
 K.N. CROWDER INC.  
 210 Eighth Street South  
 Lewiston, New York  
 14092  
 Telephone (716) 754-8247  
 Toll Free Fax 1-800-567-0123  
 customerservice@kncrowder.com

# W-32N

<b>Operation</b>	Weatherstrip
<b>Features</b>	Clear Anod. Alum. w/Cover to Conceal Fasteners



## W-32N

CLEAR ANODIZED ALUMINUM  
 2-PIECE W/SNAP ON COVER  
 AND NEOPRENE

<b>Part No.</b>	<b>Part Description</b>		
<b>Customer Name</b>	<b>Job No./Name</b>	<b>Date</b>	<b>Provided By</b>
<b>Note</b>			