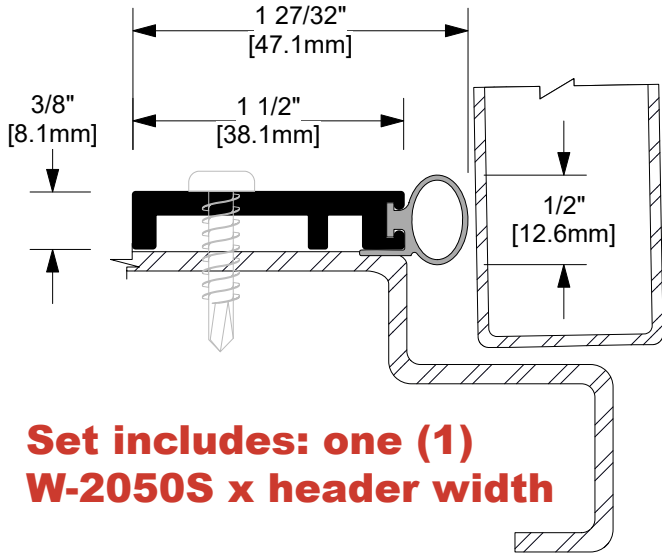
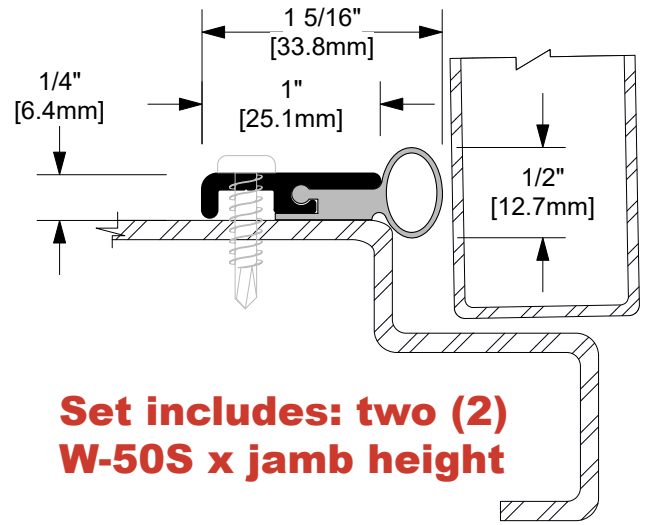


W-52S



**Set includes: one (1)
W-2050S x header width**



**Set includes: two (2)
W-50S x jamb height**

KEY FEATURES:

OPERATION:

- Weatherstrip Set

MATERIAL:

- Clear Anodized Extruded Aluminum with Silicone Insert (Large Bulb)

APPLICATION:

- Heavy Duty for all types
- Ideal for openings with bottom mount door Closers
- For -100°F (-80°C) to +570°F (+300°C)
- Each W-52S set includes: one (1) W-2050S x Header Width & (2) W-50S x Jamb Height

Part Number:	Part Description:		
Customer Name:	Job Number/Name:	Date:	Provided By:
Notes:			