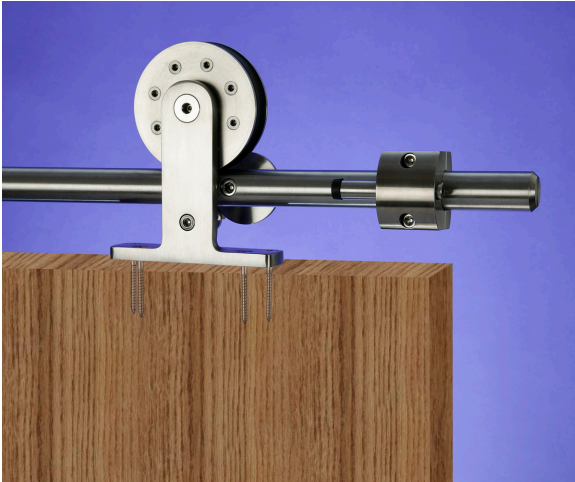
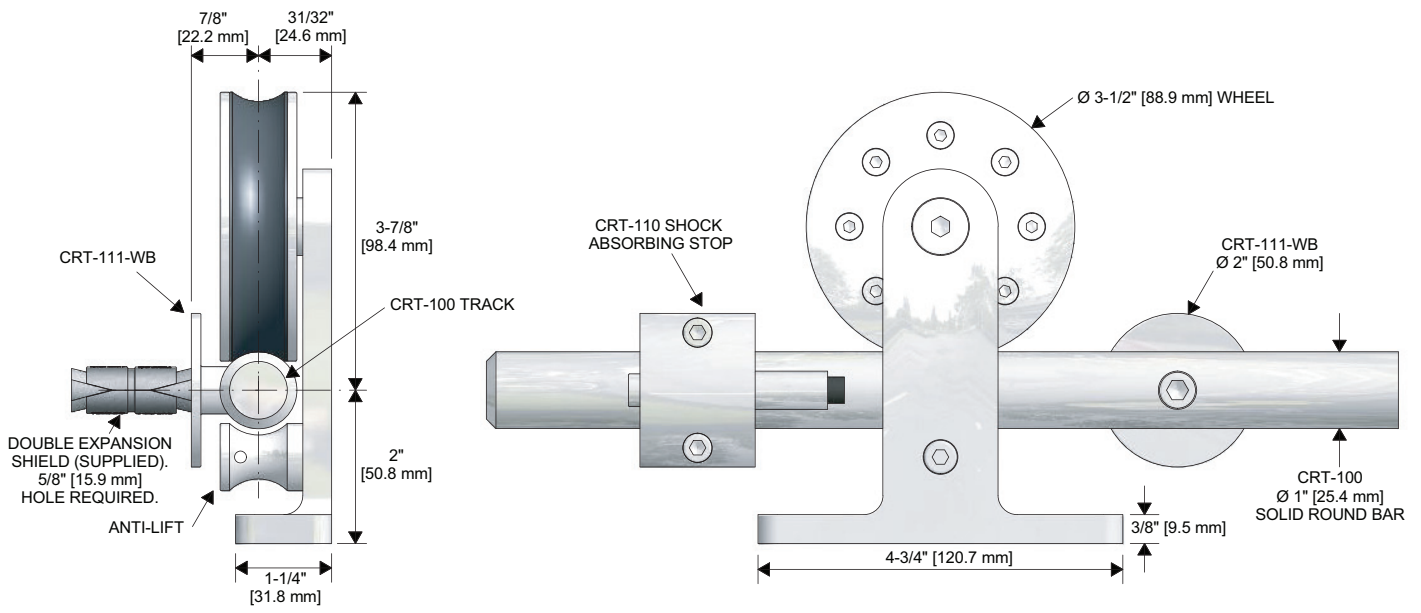


CRT-101-SS



KEY FEATURES:

- Top mount hanger (**CRT-101**)
- Shock absorbing stops (Spring loaded)
- Exposed Hardware
- Wheel is Delrin combined with Precision Ground Ball Bearings (150,000 cycle tested)
- Precision machined and polished Solid 304 Satin Stainless Steel 1" [25.4 mm] round bar track (weighing 2.700 lbs per foot) and hardware components.
- Load Capacity **350lbs. (two hangers)**
- Load Capacity **450lbs. (three hangers)**
- Load Capacity **600lbs. (four hangers)**



Part Number:		Part Description:	
Customer Name:	Job Number/Name:	Date:	Provided By:
Notes:			