

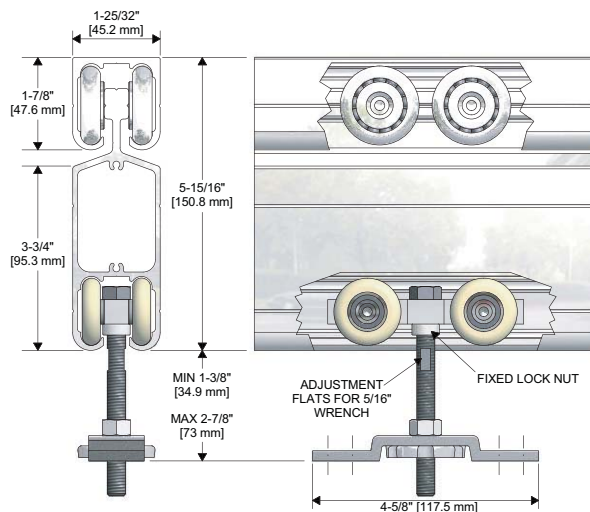
CROWDERSLIDE

KEY FEATURES:

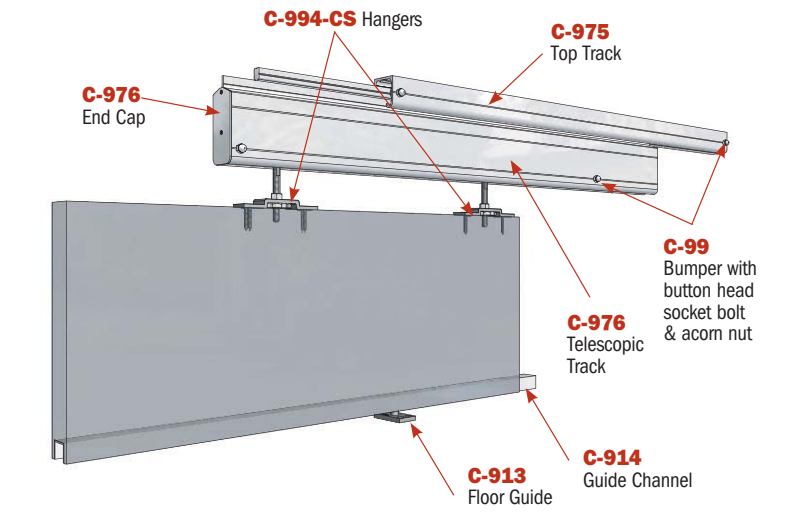
- Is a heavy-duty telescoping track system allowing individual panels to slide in and out, to view the elements on display.
- Ideal for retail display applications.
- Manufactured to suit custom applicaiton requirements.
- Example of space saving the Crowderslide offers: A 1,600 sq. ft. [148.6 sq. m.] display takes up 160 sq. ft. [14.9 sq. m.] of floor space.



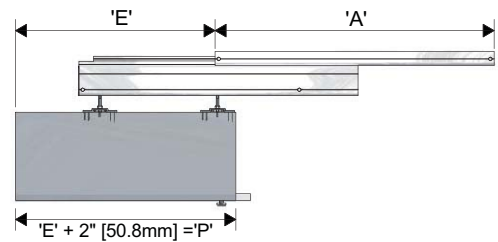
CROWDERSLIDE DETAIL



CROWDERSLIDE COMPLETE



CROWDERSLIDE TELESCOPIC TYPICAL LAYOUT



PANEL WIDTH ('P')	EXTENSION LENGTH ('E')	OVERALL LENGTH ('A')	LOAD RATING*
36" [914mm]	34" [864mm]	44" [1118mm]	160 LBS
48" [1219mm]	46" [1168mm]	56" [1422mm]	150 LBS
60" [1524mm]	58" [1473mm]	70" [1778mm]	130 LBS
72" [1829mm]	70" [1778mm]	82" [2083mm]	90 LBS

*DOORS EXCEEDING THE WEIGHT SPECIFIED MUST BE INSTALLED WITH A FRONT END CASTER. CUSTOMER IS RESPONSIBLE FOR STRUCTURAL SUPPORT AND COUNTERBALANCE.
NOTE: EXTENSION LENGTH WILL ALWAYS BE 2" [50.8mm] LESS THAN PANEL WIDTH.

Part Number:	Part Description:		
Customer Name:	Job Number/Name:	Date:	Provided By:
Notes:			