

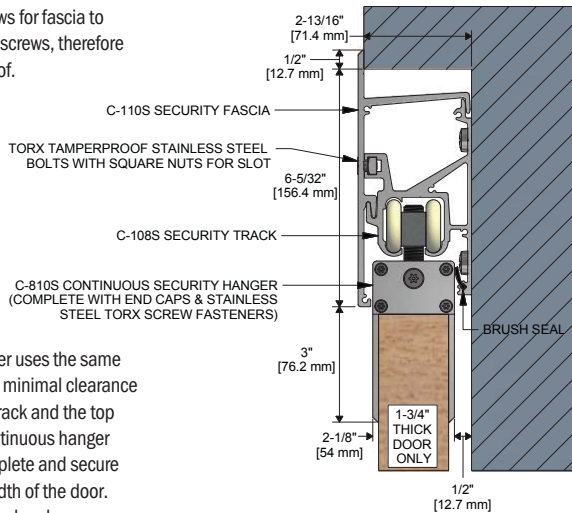
# HIGH SECURITY DOOR SYSTEM

## KEY FEATURES:

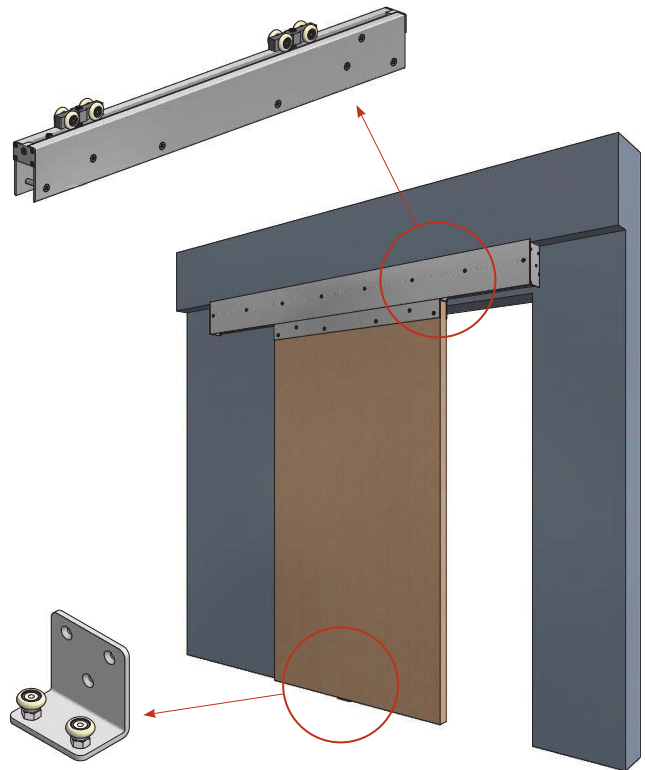
- Will prevent users from tampering with the assembly or operation of the door.
- **C-810S** Continuous Hanger with our Precision Ground Ball Bearing Wheels provide smooth and quiet operation of the doors.
- Ideal for Hospitals, Institutional use as well as for other applications requiring tamper resistant hardware.
- For use with **C-108S** Track & **C-110S** Fascia only
- For our smash test video on this product, visit our website for more details.
- Load Capacity **300lbs. (one continuous hanger)**



Specially designed **C-108S** track and **C-110S** fascia allows for fascia to be fastened with torx screws, therefore making it tamper proof.



**C-810S** Continuous Hanger uses the same concept as the **C-810** with minimal clearance between the bottom of the track and the top of the hanger body. The continuous hanger is fabricated to provide complete and secure support across the whole width of the door. Complete with Torx screws and end caps.



<b>Part Number:</b>	<b>Part Description:</b>		
<b>Customer Name:</b>	<b>Job Number/Name:</b>	<b>Date:</b>	<b>Provided By:</b>
<b>Notes:</b>			