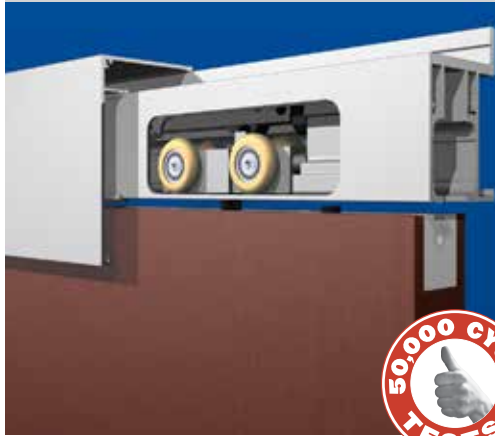


MEDIUM TO HEAVY-DUTY SIDE MOUNT SYSTEMS

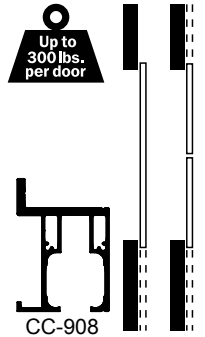


CC-810 Zero Clearance Hanger With CC-908 Side Mount Track

For Single or Bi-Parting Wall Mounted Doors.

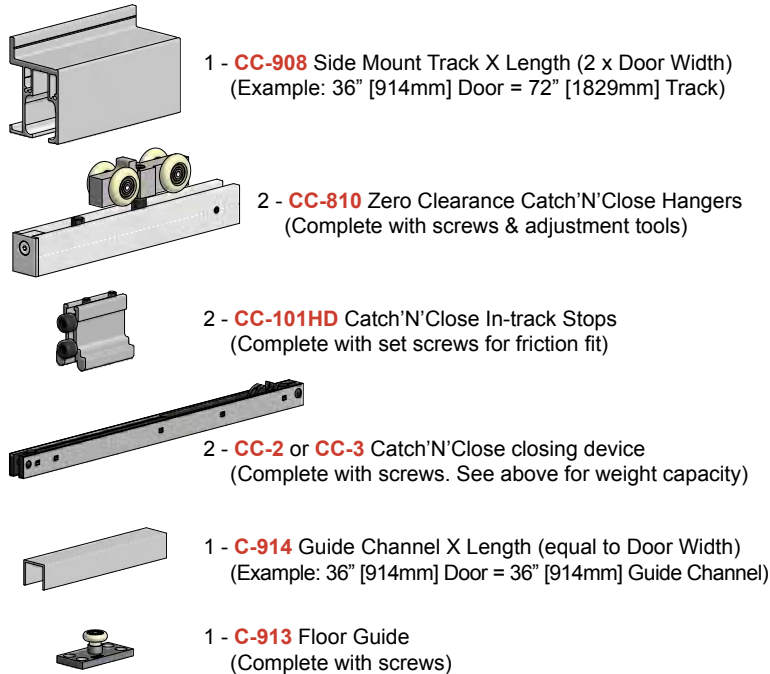
Using the popular design from the standard C-810 Zero Clearance Hangers, our well-known precision ball bearing nylon tire wheels, and adding Catch'N'Close technology, results in the ultimate sliding door system! The CC-810 Hanger allows for a minimal clearance of 3/16" [4.8mm] between the door and underside of track which also reduces light and sound entry. Using the new CC-908 Track combined with the CC-980 Fascia can result in significant savings by eliminating the need for constructing a bulkhead to hide the track & hardware.

- **CC-810** Hanger Load Capacity **300 lbs. (two Hangers)**
- Use with Extruded Aluminum **CC-908 Track**, 6061T6 Alloy
- Use with **CC-2** Catch'N'Close closing device for up to **200lbs. doors**
- Use with **CC-3** Catch'N'Close closing device for up to **300lbs. doors**

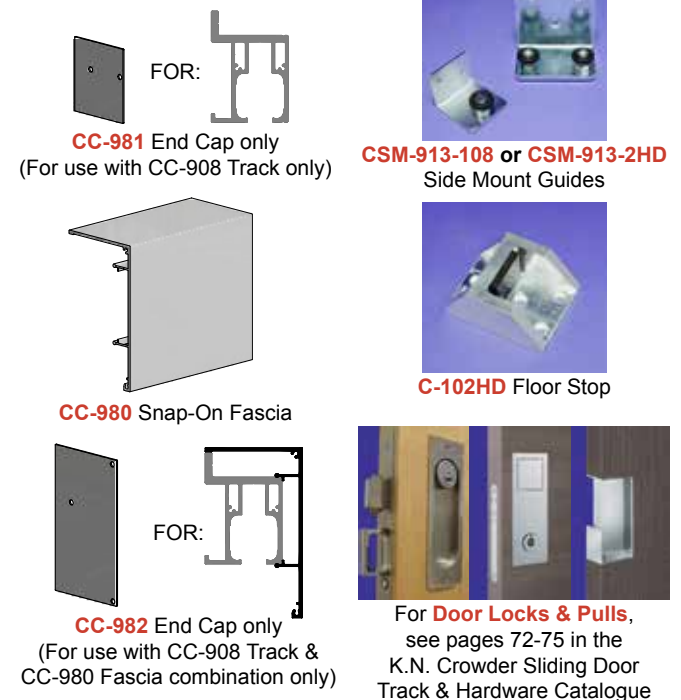


CCS-?-810 X (track size)" 1DR KIT COMPLETE

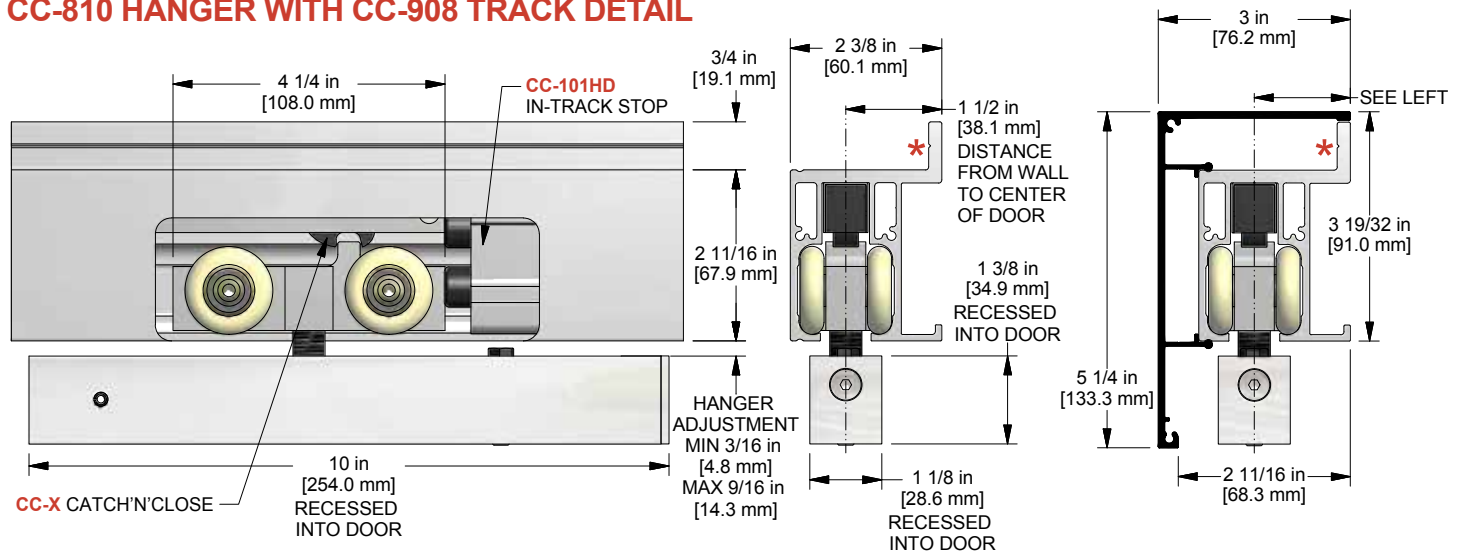
Complete Kits available for 24" [610 mm] to 72" [1829 mm] wide doors.



OPTIONAL PRODUCTS



CC-810 HANGER WITH CC-908 TRACK DETAIL



[*]Indicates mounting flange on CC-908 Track
[Optional **CC-980** Snap-On Fascia illustrated as solid **black** profile]

A PRODUCT OF K.N. CROWDER MFG. INC.

TOLL-FREE PHONE: 1-866-999-1KNC (1562) • TOLL-FREE FAX: 1-800-567-0123 • WEBSITE: www.kncrowder.com • EMAIL: customerservice@kncrowder.com

© 2014 K.N. CROWDER MFG. INC. All Rights Reserved.