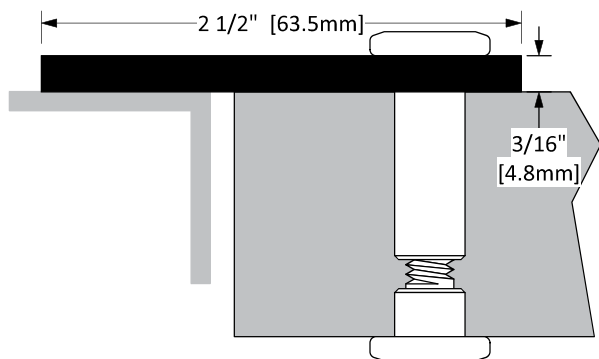


# W-10SP



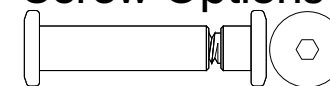
## Finish Options

STD

Primed C.R. Steel

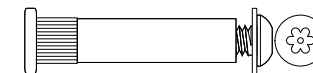
## Screw Options

Standard



Screw Type: **L**  
 WC-USB Custom Stainless Steel Hex Drive, Universal Connector Bolt Ø3/8" Or "V" Drill Bit Clearance Hole Required

Optional



Screw Type: **M**  
 1/4-20 X 3/4" Stainless Steel Button Head, Tamper-Resistant Torx, Machine Screw With Security Sleeve & Washer

<b>Operation</b>	Astragal
<b>Features</b>	<ul style="list-style-type: none"> <li>Primed C.R. Steel</li> </ul>
<b>Application</b>	<ul style="list-style-type: none"> <li>Ideal for Residential, Commercial &amp; Industrial</li> </ul>

Customer Name: \_\_\_\_\_ Job No./Name: \_\_\_\_\_ Date: \_\_\_\_\_ Provided By: \_\_\_\_\_

Notes: