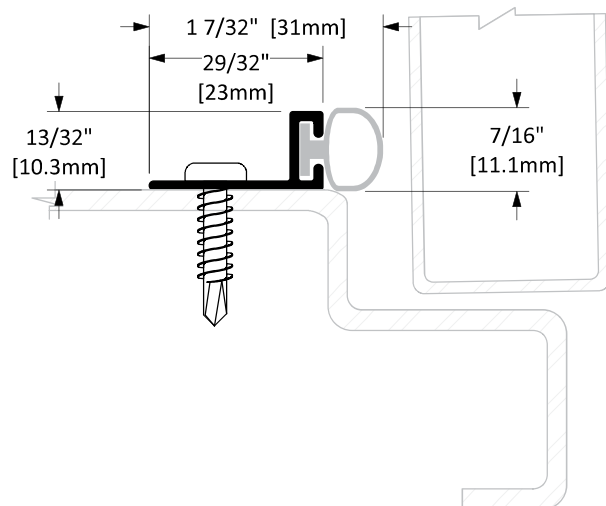
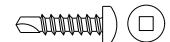


W-16S



- Finish Options**
- STD** Clear Anodized
 - OPT** Bronze Anodized
 - OPT** Black Anodized

- Screw Options**
- Standard**


Screw Type: **A**
#8 X 3/4" Stainless Steel Pan Head, Robertson Drive, Tek Screws

- Optional**


Screw Type: **B**
#8 X 3/4" Stainless Steel Pan Head, Tamper-Resistant Torx Drive, Tek Screws

Operation	Weatherstrip
Features	<ul style="list-style-type: none"> • Clear Anodized Extruded Aluminum with Silicone
Application	<ul style="list-style-type: none"> • Ideal for Residential, Commercial & Industrial

Customer Name: _____ Job No./Name: _____ Date: _____ Provided By: _____

Notes: