

# C-2025-GT



## FEATURES

- 60 lbs. [27 kg] weight capacity
- Hangers feature slotted holes for vertical adjustment
- Nylon wheels provide smooth and quiet door operation
- Cycle tested for up to 150,000 cycles without fail
- Anodized or powder-coated finishes also available
- For 3/4 in [19 mm] or 1 3/8 in [34.9 mm] thick doors

## COMPLETE 2 DOOR KIT BREAKDOWN



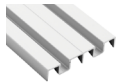
**1 - C-2025 Double Track**  
x length based on kit size (e.g. 72 in [1829 mm] kit for 36 in [914 mm] wide door)



**2 - C-2025 3/8 in [9.5 mm] Hangers**  
complete with screws



**2 - C-2025 5/8 in [15.8 mm] Hangers**  
complete with screws



**1 - C-238 Double Groove Guide Threshold**  
x length based on kit size (e.g. 36 in [914 mm] guide channel for 72 in [1829 mm] kit)



**4 - C-200 Guides**  
complete with screws

## OPTIONAL

### Door Locks & Pulls



Customer Name

Job No./Name

Date

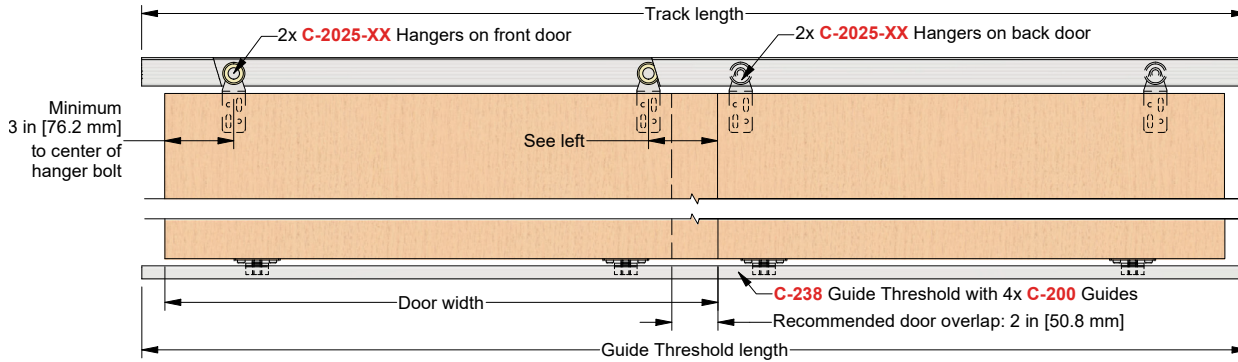
Provided By

Notes

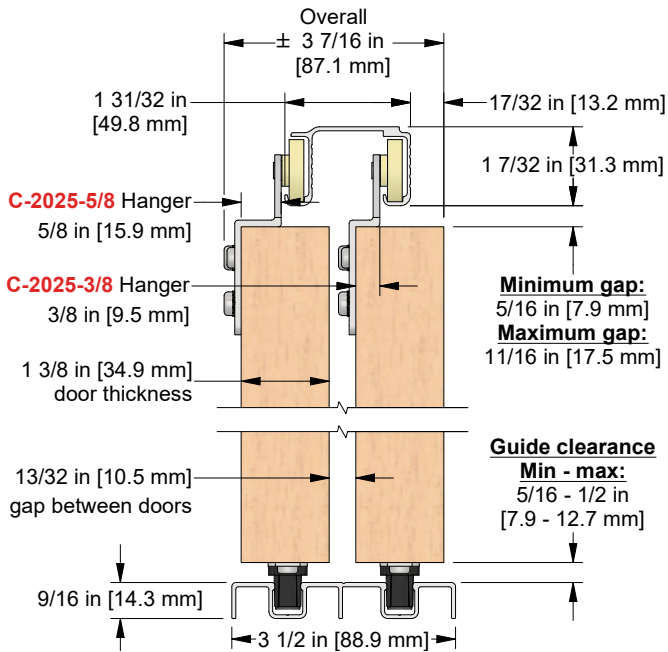
# C-2025-GT



## COMPLETE ELEVATION VIEW



## PRODUCT DIMENSIONS



Installation  
Instructions



Customer Name	Job No./Name	Date	Provided By

Notes