

# C-511-SGT

# KNC



## FEATURES

- 150 lbs. [68 kg] weight capacity
- Quick Release Hanger System for easy installation
- Nylon wheels and precision ball bearings provide smooth and quiet door operation
- Adjustable in-track stops
- Cycle tested for up to 150,000 cycles without fail
- ADA Compliant (Barrier-free) design
- Anodized or powder-coated finishes also available
- For 1 3/4 in [44.5 mm] thick doors

## COMPLETE 2 DOOR KIT BREAKDOWN



**1 - C-500 Double Track**  
x length based on kit size (e.g. 72 in [1829 mm] kit for 36 in [914 mm] wide door)



**4 - C-411 Quick Release Hangers**  
complete with screws



**4 - CDC-411 Catch/Stops**  
complete with screws



**1 - C-202S Sloped Double Groove Guide Threshold**  
x length based on kit size (e.g. 36 in [914 mm] guide channel for 72 in [1829 mm] kit)



**4 - C-200 Guides**  
complete with screws

## OPTIONAL

### Door Locks & Pulls



### Add-On Products



**C-521 Fascia x 1**  
x track length

**C-521 Fascia x 2**  
x track length

Customer Name

Job No./Name

Date

Provided By

Notes

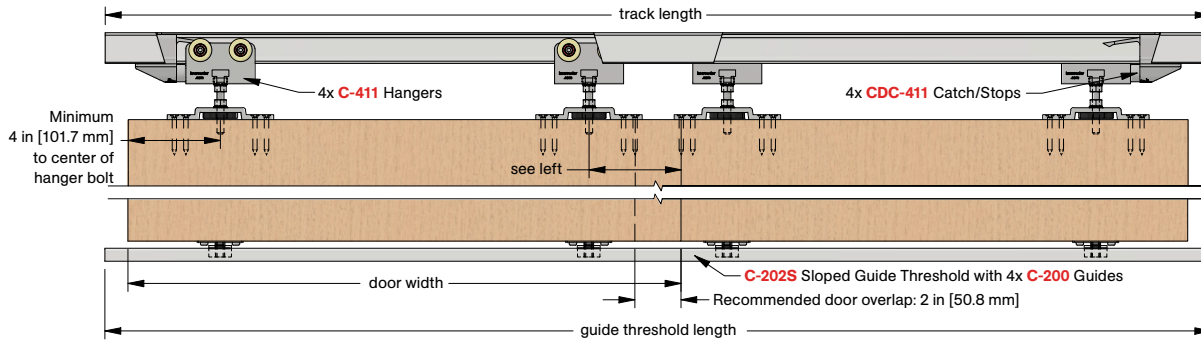
# KN Crowder

1220 Burloak Drive, Burlington, Ontario, Canada, L7L 6B3  
T. 1-866-999-1562 customerservice@kncrowder.com kncrowder.com  
© 2020-2024 K.N. Crowder Mfg. Inc. All Rights Reserved.

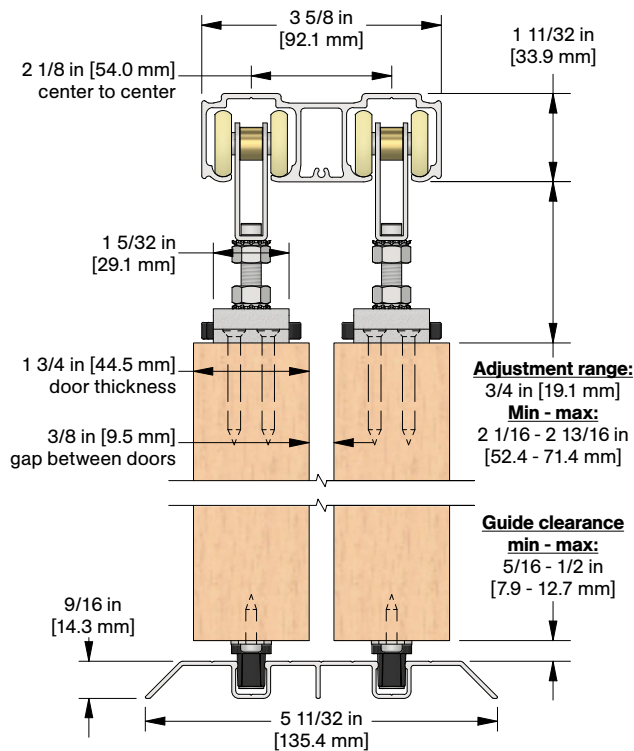
# C-511-SGT



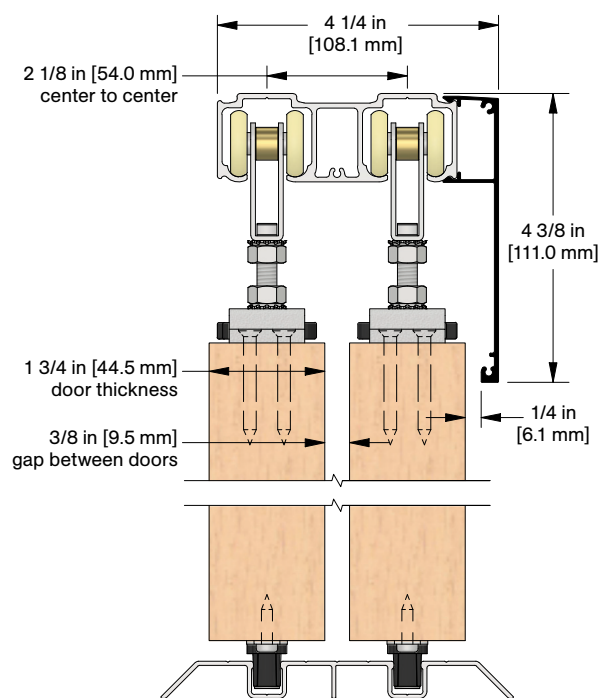
## COMPLETE ELEVATION VIEW



## PRODUCT DIMENSIONS



### Optional C-521 Snap-on Fascia, illustrated as solid black profile



Installation Instructions



Customer Name

Job No./Name

Date

Provided By

Notes