

# C-600



## FEATURES

- 75 lbs. [34 kg] weight capacity
- Nylon wheels provide smooth and quiet door operation
- Cycle tested for up to 150,000 cycles without fail
- Anodized or powder-coated finishes also available
- For 1 3/8 in [34.9 mm] thick doors

## COMPLETE 2 DOOR KIT BREAKDOWN



**1 - C-600 Double Track**  
x length based on kit size (e.g. 72 in [1829 mm] kit for 36 in [914 mm] wide door)



**4 - C-350 Top Mount Hangers**  
complete with screws



**1 - C-1205 Nylon Guide Set**  
complete with screws

## OPTIONAL

### Door Locks & Pulls



### Add-On Products



**C-519 Fascia x 1**  
x track length

**C-519 Fascia x 2**  
x track length

Customer Name

Job No./Name

Date

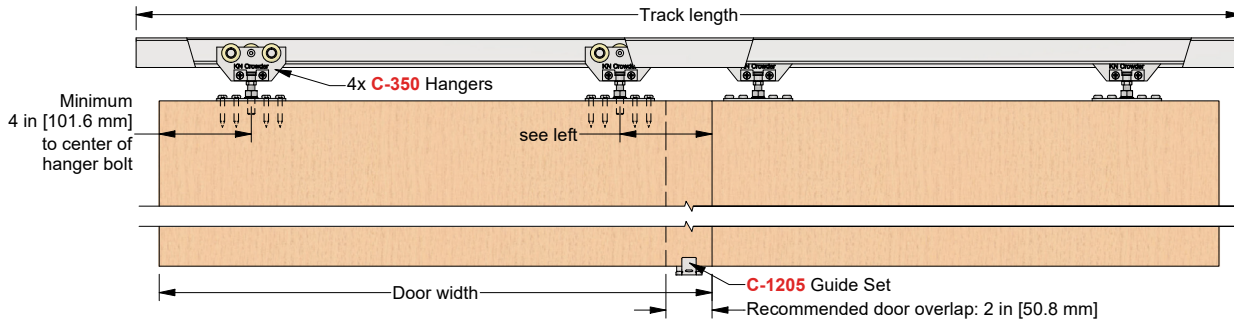
Provided By

Notes

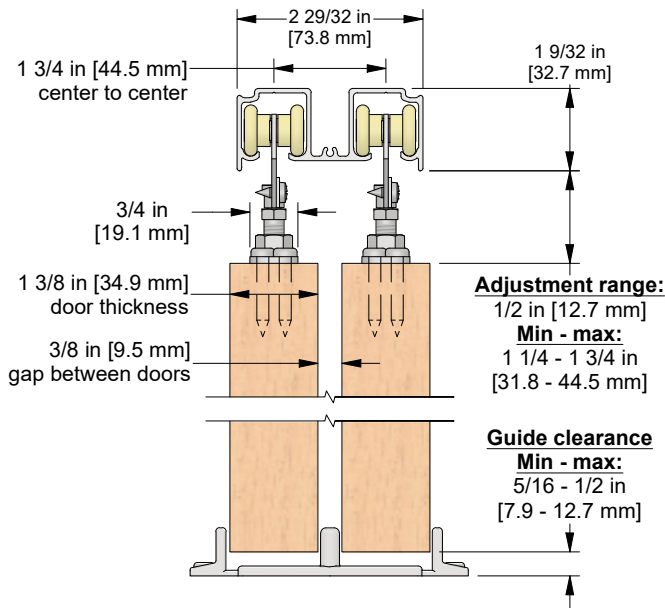
# C-600



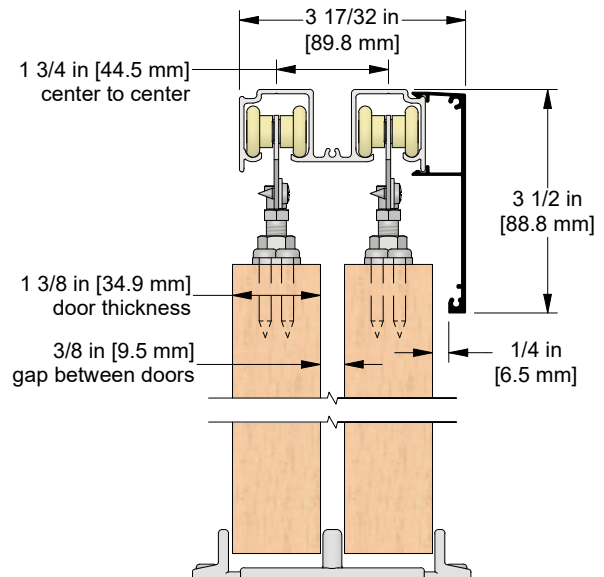
## COMPLETE ELEVATION VIEW



## PRODUCT DIMENSIONS



### Optional C-519 Snap-on Fascia, illustrated as solid black profile



Installation  
Instructions



Customer Name

Job No./Name

Date

Provided By

Notes