

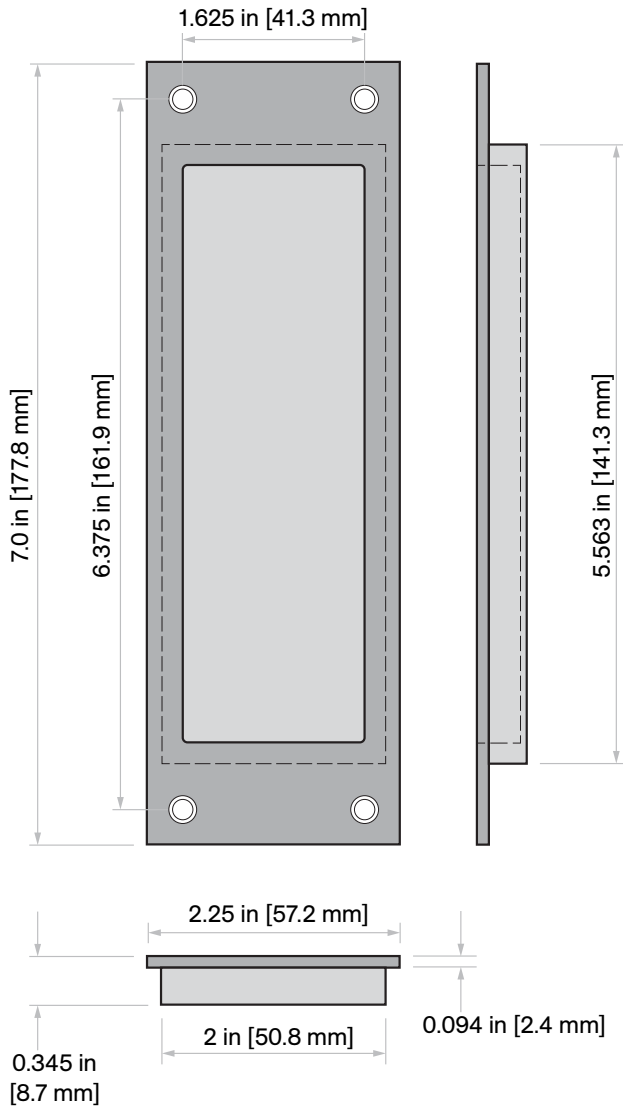
C-61-BB Passage Set

Installation Instructions

Specifications

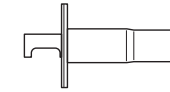
Door Thickness: 1 3/8 in [34.9 mm] minimum

Not to scale



Included Components

1x

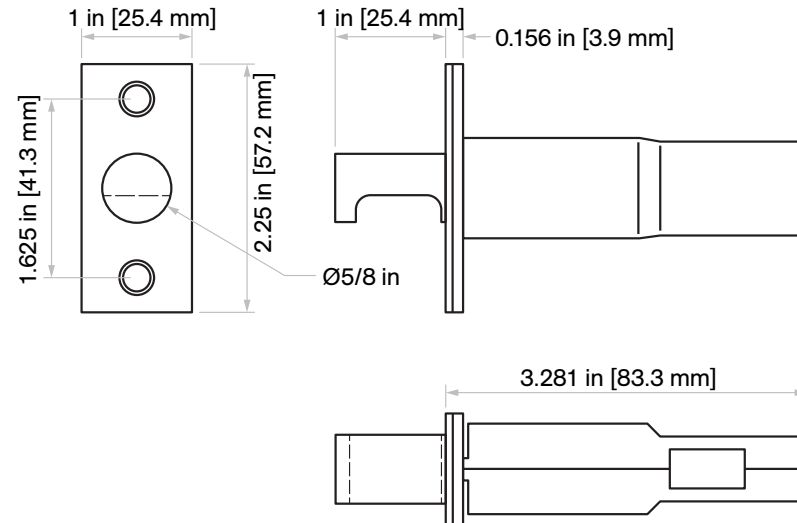


C-61
Edge Pull Body

2x



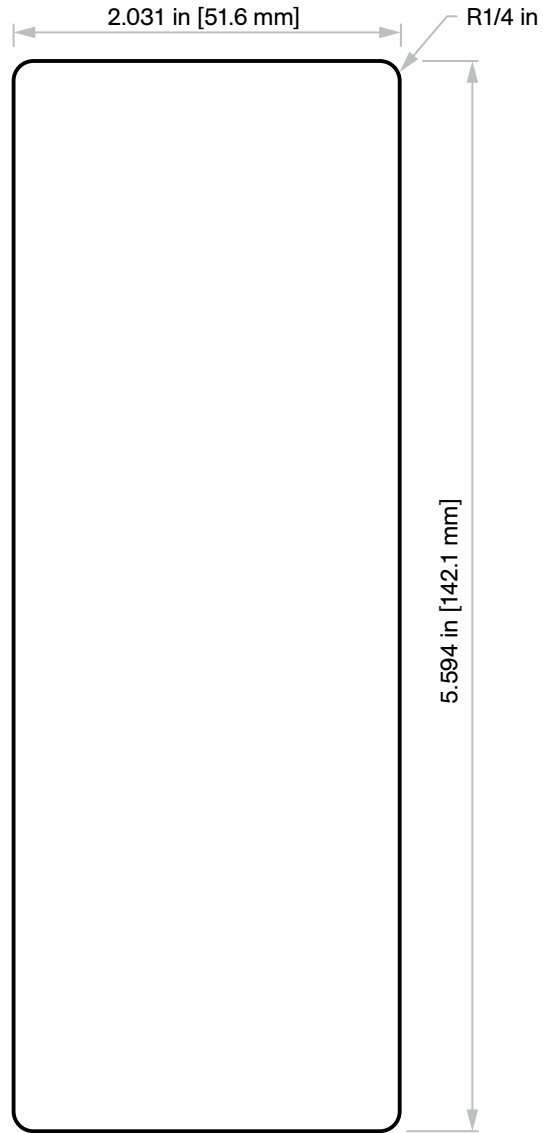
C-90B
Blank Flush Pull



Door Prep Template

Horizontal and vertical spacing of the flush pulls is up to the end user. However, we do suggest to line up the backset with the other locks on your project.

C-90B

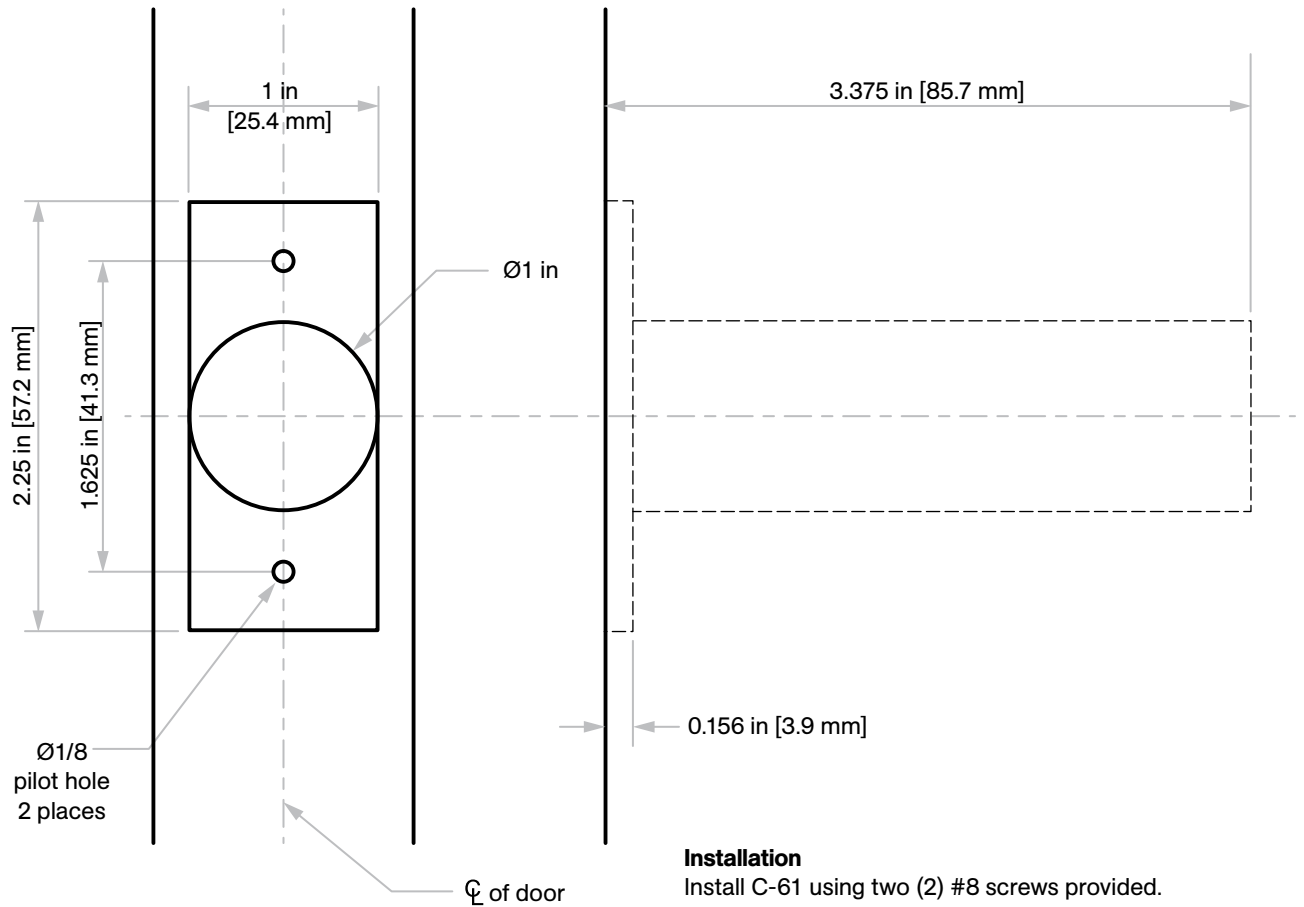


For example: 2 in [50.8 mm], 2.5 in [63.5 mm], 2.75 in [69.8 mm], 5 in [127 mm], and 6 in [152.4 mm]

Responsibility

Door and frame manufacturers are responsible for providing adequate construction or reinforcement for proper installation of hardware shown.

C-61



Installation

Install C-61 using two (2) #8 screws provided.