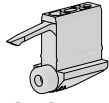


CDC-911

Instruction sheet



Parts List

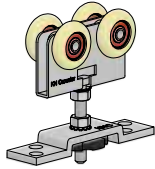


CDC-911
Catch/Stop (2)



#10 x 2-1/4"
Self-Drilling Screw (2)
[FT6]

Compatible with:



C-911 Hanger



C-104 Track



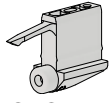
C-108 Track

CDC-911

Instruction sheet



Parts List

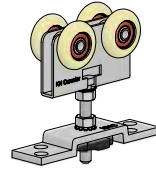


CDC-911
Catch/Stop (2)



#10 x 2-1/4"
Self-Drilling Screw (2)
[FT6]

Compatible with:



C-911 Hanger



C-104 Track



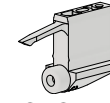
C-108 Track

CDC-911

Instruction sheet



Parts List

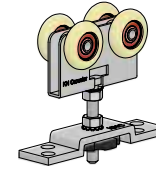


CDC-911
Catch/Stop (2)



#10 x 2-1/4"
Self-Drilling Screw (2)
[FT6]

Compatible with:



C-911 Hanger



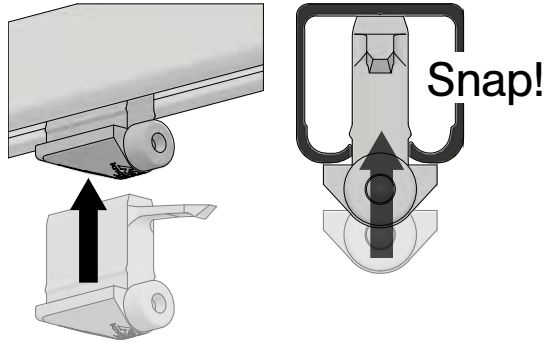
C-104 Track



C-108 Track

Step #1:

After door has been installed, snap CDC-911 Catch/Stops into each end of track with bumpers facing towards center of track. Once snapped into track, CDC-911 Catch/Stops should be free to slide within track.



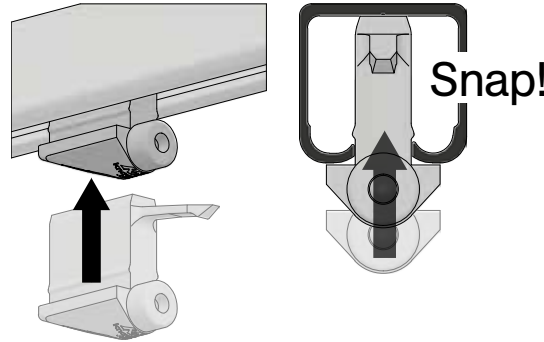
Step #2:

Position door approximately 5-10 in [127-254 mm] away from final position at one end, shown right with left side. Push loose CDC-911 Catch/Stop against hanger and engage it with hanger. Bumper should be against hanger body.



Step #1:

After door has been installed, snap CDC-911 Catch/Stops into each end of track with bumpers facing towards center of track. Once snapped into track, CDC-911 Catch/Stops should be free to slide within track.



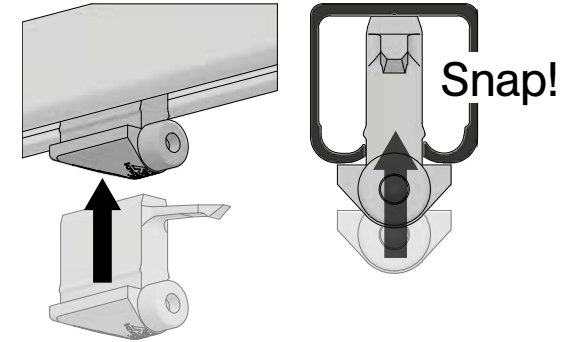
Step #2:

Position door approximately 5-10 in [127-254 mm] away from final position at one end, shown right with left side. Push loose CDC-911 Catch/Stop against hanger and engage it with hanger. Bumper should be against hanger body.



Step #1:

After door has been installed, snap CDC-911 Catch/Stops into each end of track with bumpers facing towards center of track. Once snapped into track, CDC-911 Catch/Stops should be free to slide within track.



Step #2:

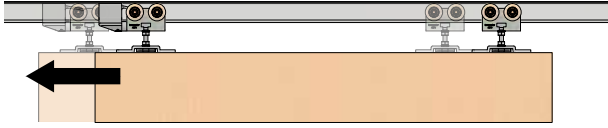
Position door approximately 5-10 in [127-254 mm] away from final position at one end, shown right with left side. Push loose CDC-911 Catch/Stop against hanger and engage it with hanger. Bumper should be against hanger body.



Step #3:

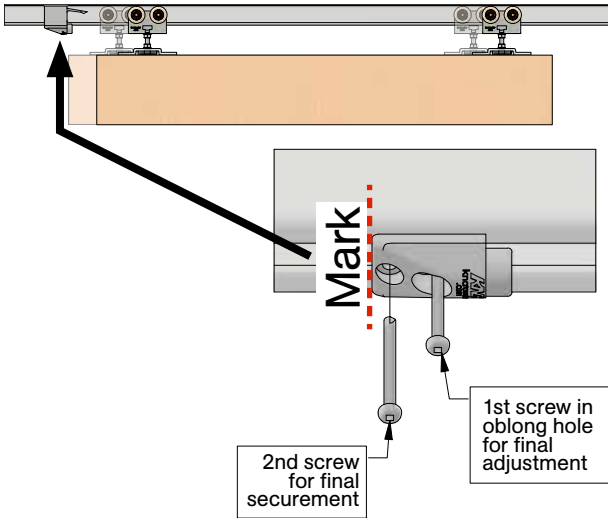
With CDC-911 Catch/Stop loose, slide door to final/desired position.

Note: Ensure that strike and any finishing trim thicknesses are taken into consideration for final/desired position of door.

**Step #4:**

Once final position is achieved, mark outside edge of CDC-911 Catch/Stop as shown below, disengage CDC-911 Catch/Stop from hanger and slide door back. Position CDC-911 Catch/Stop at mark and secure with one (1) #10 x 2-1/4" Self-Drilling Screw [FT6] in oblong hole. Recheck door position and adjust CDC-911 Catch/Stop if necessary before securing in second hole with #10 x 2-1/4" Self-Drilling Screw [FT6].

Note: Remove any drill fillings from inside of track as this will affect operation of sliding door system.

**Step #5:**

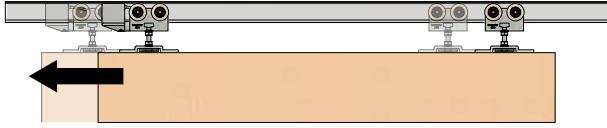
Repeat **steps #2 - 4** for opposite CDC-911 Catch/Stop.

Note: Ensure that strike and any finishing trim thicknesses are taken into consideration for final/desired position of door.

Step #3:

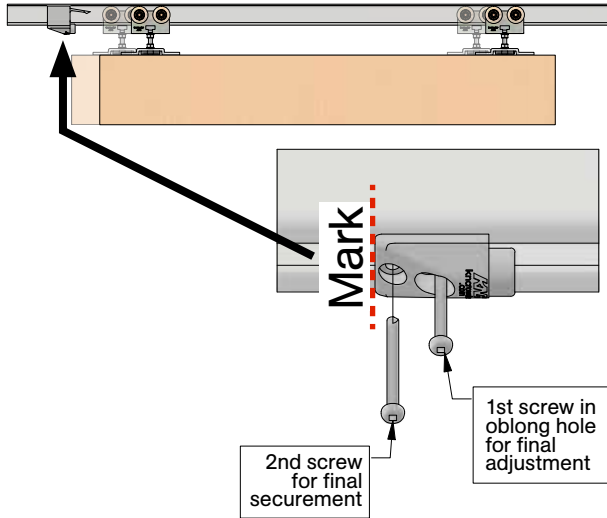
With CDC-911 Catch/Stop loose, slide door to final/desired position.

Note: Ensure that strike and any finishing trim thicknesses are taken into consideration for final/desired position of door.

**Step #4:**

Once final position is achieved, mark outside edge of CDC-911 Catch/Stop as shown below, disengage CDC-911 Catch/Stop from hanger and slide door back. Position CDC-911 Catch/Stop at mark and secure with one (1) #10 x 2-1/4" Self-Drilling Screw [FT6] in oblong hole. Recheck door position and adjust CDC-911 Catch/Stop if necessary before securing in second hole with #10 x 2-1/4" Self-Drilling Screw [FT6].

Note: Remove any drill fillings from inside of track as this will affect operation of sliding door system.

**Step #5:**

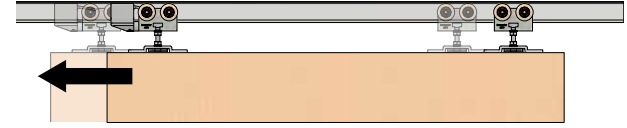
Repeat **steps #2 - 4** for opposite CDC-911 Catch/Stop.

Note: Ensure that strike and any finishing trim thicknesses are taken into consideration for final/desired position of door.

Step #3:

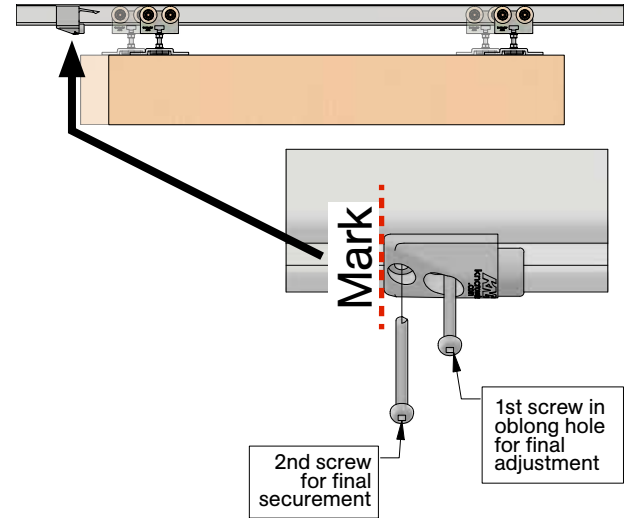
With CDC-911 Catch/Stop loose, slide door to final/desired position.

Note: Ensure that strike and any finishing trim thicknesses are taken into consideration for final/desired position of door.

**Step #4:**

Once final position is achieved, mark outside edge of CDC-911 Catch/Stop as shown below, disengage CDC-911 Catch/Stop from hanger and slide door back. Position CDC-911 Catch/Stop at mark and secure with one (1) #10 x 2-1/4" Self-Drilling Screw [FT6] in oblong hole. Recheck door position and adjust CDC-911 Catch/Stop if necessary before securing in second hole with #10 x 2-1/4" Self-Drilling Screw [FT6].

Note: Remove any drill fillings from inside of track as this will affect operation of sliding door system.

**Step #5:**

Repeat **steps #2 - 4** for opposite CDC-911 Catch/Stop.

Note: Ensure that strike and any finishing trim thicknesses are taken into consideration for final/desired position of door.