

CDL-SP

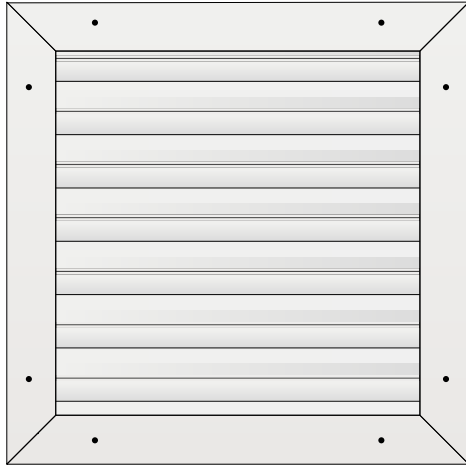
Installation Instructions



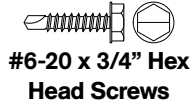
Stormproof Aluminum Door Louver

For 1 3/8 in [34.9 mm] to 1 3/4 in [44.5 mm] doors

Parts List

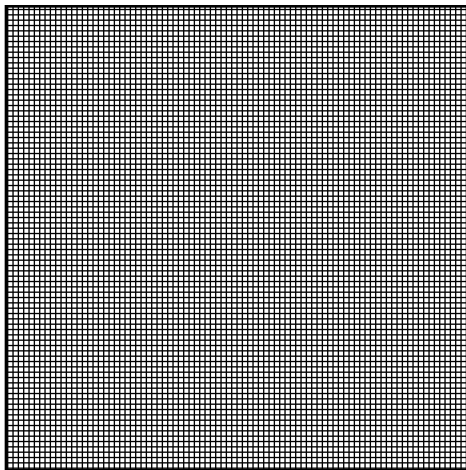


CDL-SP Louver



#6-20 x 3/4" Hex Head Screws

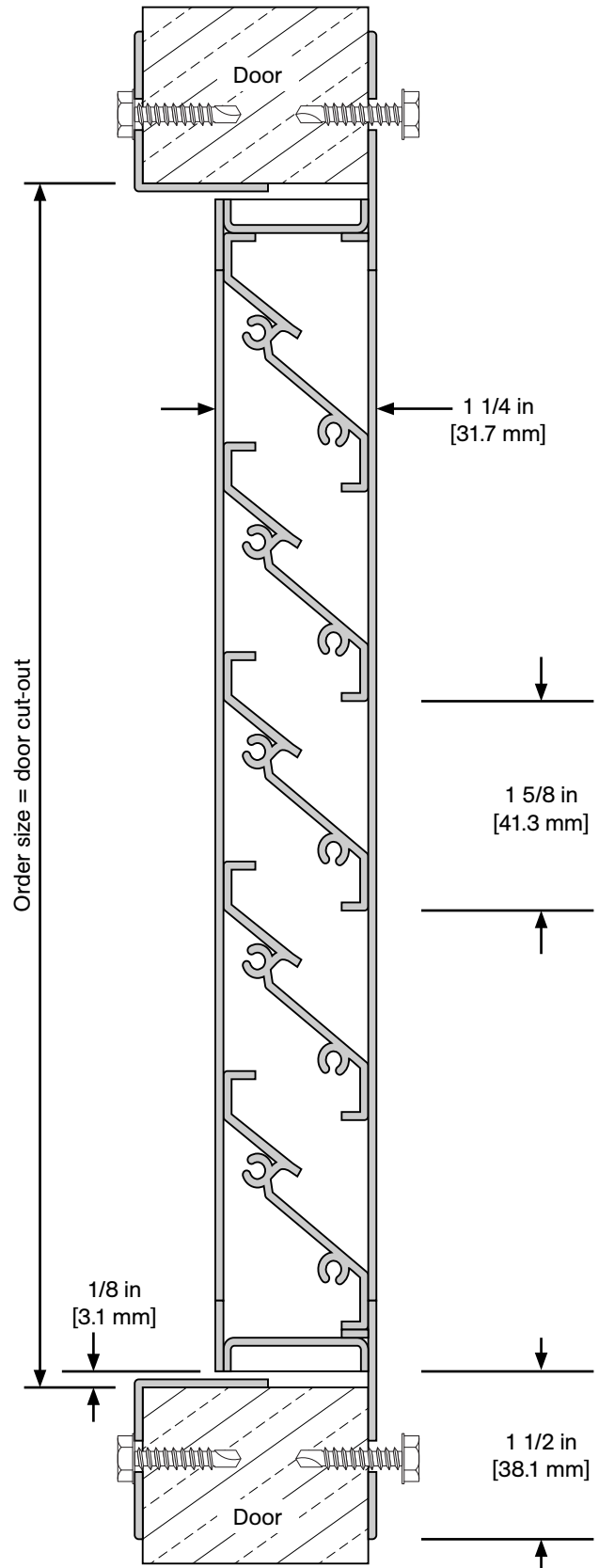
Optional Add-on Products



Insect Screen or Bird Screen



Security Torx



Installation Steps

Step #1:

Read and follow installation requirements of door manufacturers.

Step #2:

Cut hole in door to cut-out size of louver. Ensure opening is plumb and square.

Step #3:

Insert corridor side of louver into opening. Use setting blocks as necessary.

Step #4:

Align room side of louver into cut-out against corridor side of the louver.

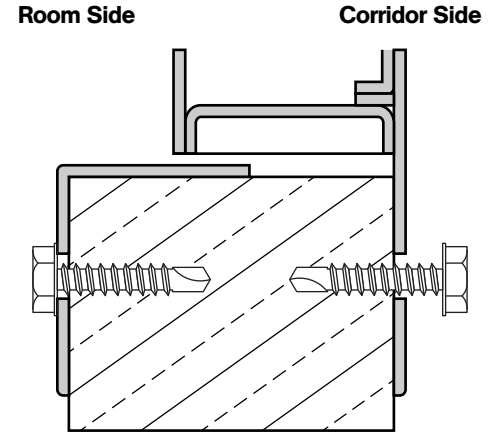
Step #5:

Using #6-20 x 3/4" Hex Head Screws provided, start screws in pre-drilled holes, aligning with holes in other side of louver.

Step #6:

Check louver is correctly positioned on door, then tighten screws alternately in a criss-cross pattern to avoid putting more pressure on one side than other.

Note: Do not over-tighten.



Cleaning and Maintenance

Material	Finish	Instructions
Aluminum	Mill	Use a soft cloth and mild soap and water.