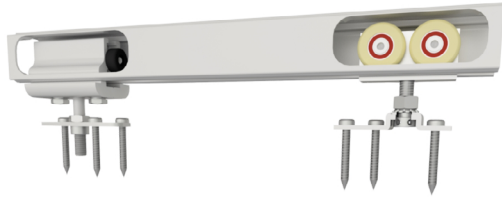


CF-115

KNC



FEATURES

- 50 lbs. [22 kg] weight capacity
- Easy Connect Hanger System for easy installation
- Nylon wheels and precision ball bearings provide smooth and quiet door operation
- Cycle tested for up to 150,000 cycles without fail
- ADA Compliant (barrier-free) design
- Available in clear or black anodized, mill finish or powder coated

COMPLETE 2 DOOR KIT BREAKDOWN



1 - C-400 Top Mount Track

x length based on kit size (e.g. 72 in [1829 mm] kit for two 36 in [914 mm] wide doors)



1 - CF-115 Easy Connect Hanger

complete with screws and adjustment tools



1 - CF-115 Bottom and Top Pivot Set

complete with screws

OPTIONAL

Door Locks & Pulls



Add-On Products



C-225 Fascia

x length based on required size

Customer Name

Job No./Name

Date

Provided By

Notes

KN Crowder

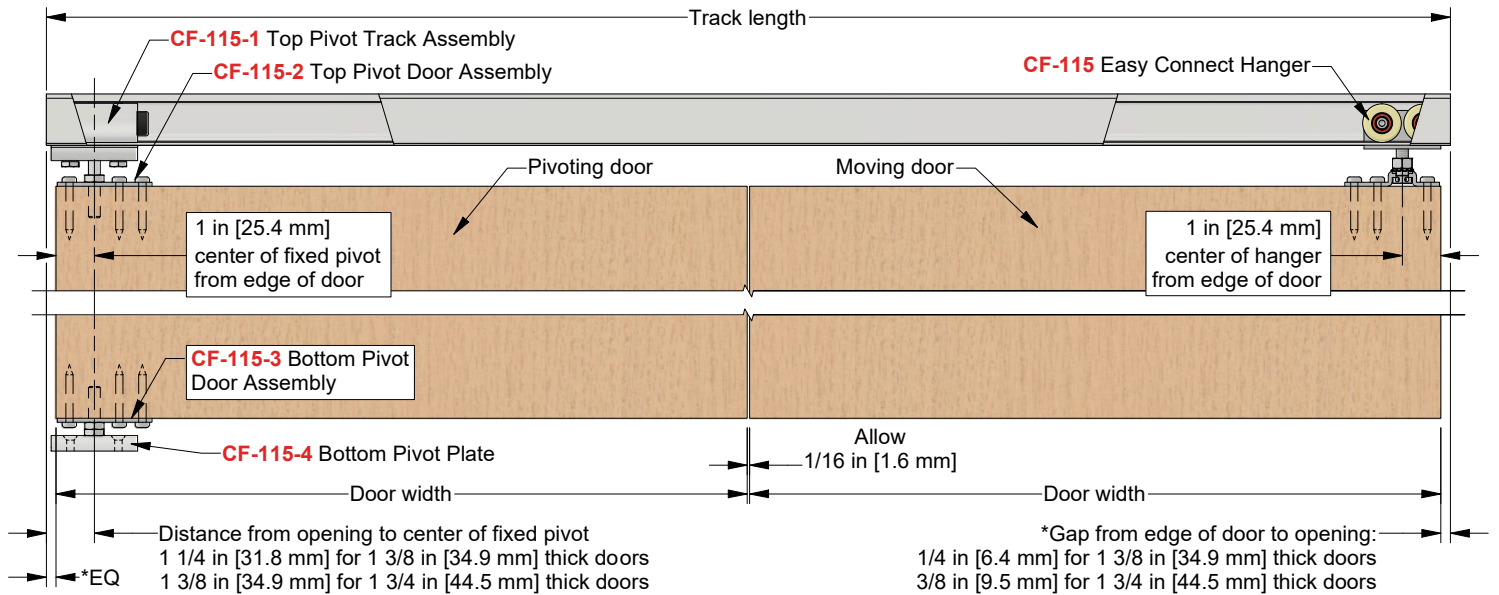
1220 Burloak Drive, Burlington, Ontario, Canada, L7L 6B3
T. 1-866-999-1562 customerservice@kncrowder.com
© 2020-2024 K.N. Crowder Mfg. Inc. All Rights Reserved.

kncrowder.com

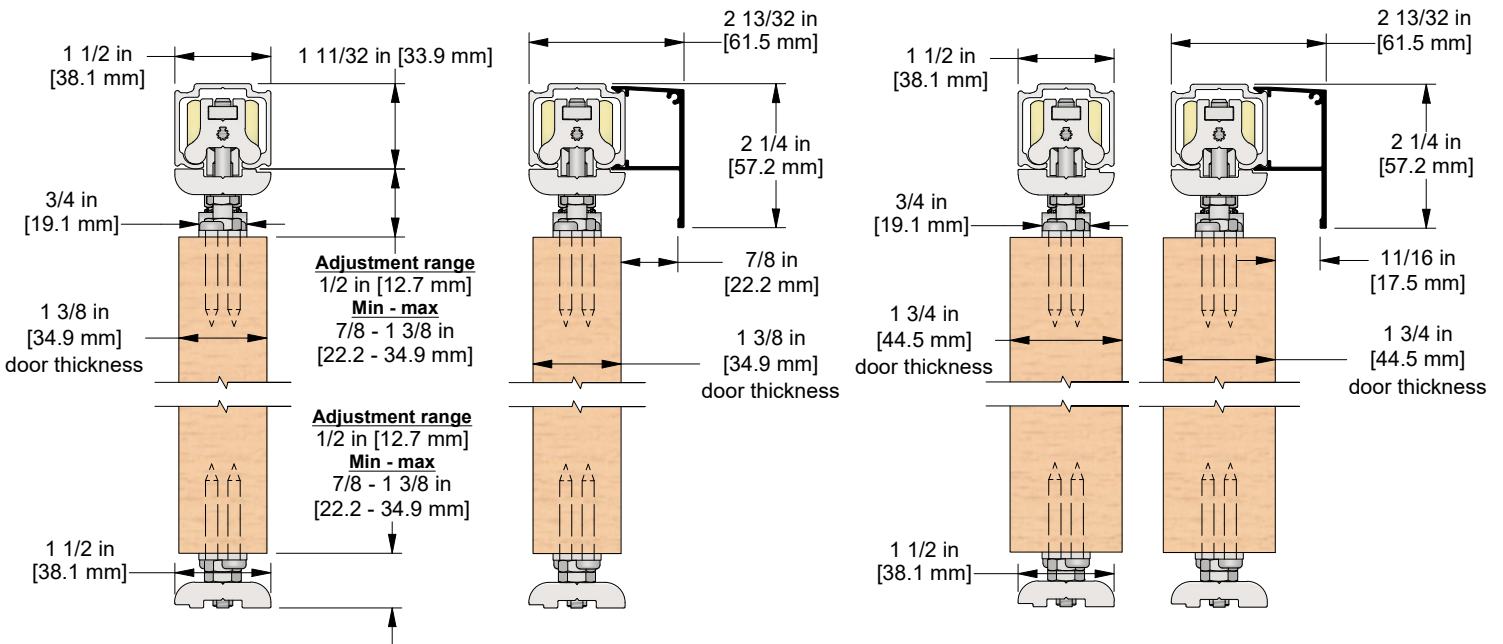
CF-115



COMPLETE ELEVATION VIEW



PRODUCT DIMENSIONS



Installation Instructions



Customer Name

Job No./Name

Date

Provided By

Notes