

CFT-203 FACE MOUNT GLASS HANGER SLIDING DOOR KIT

INSTRUCTION SHEET FOR 3/8" [10mm] OR 1/2" [12mm] GLASS DOORS



PARTS LIST (FOR 1 DOOR KIT)

CFT-203 HANGER (2) **CRT-103 FRONT SCREW (4)** **CRT-103 BACK CLAMP (4)** **CFT-201 ANTI-LIFT (2)** **5/16"-18 X 3/4" LOW PROFILE HEAD SOCKET CAP SCREW (2)** **CFT-211-WB WALL MOUNT BRACKET (*)**

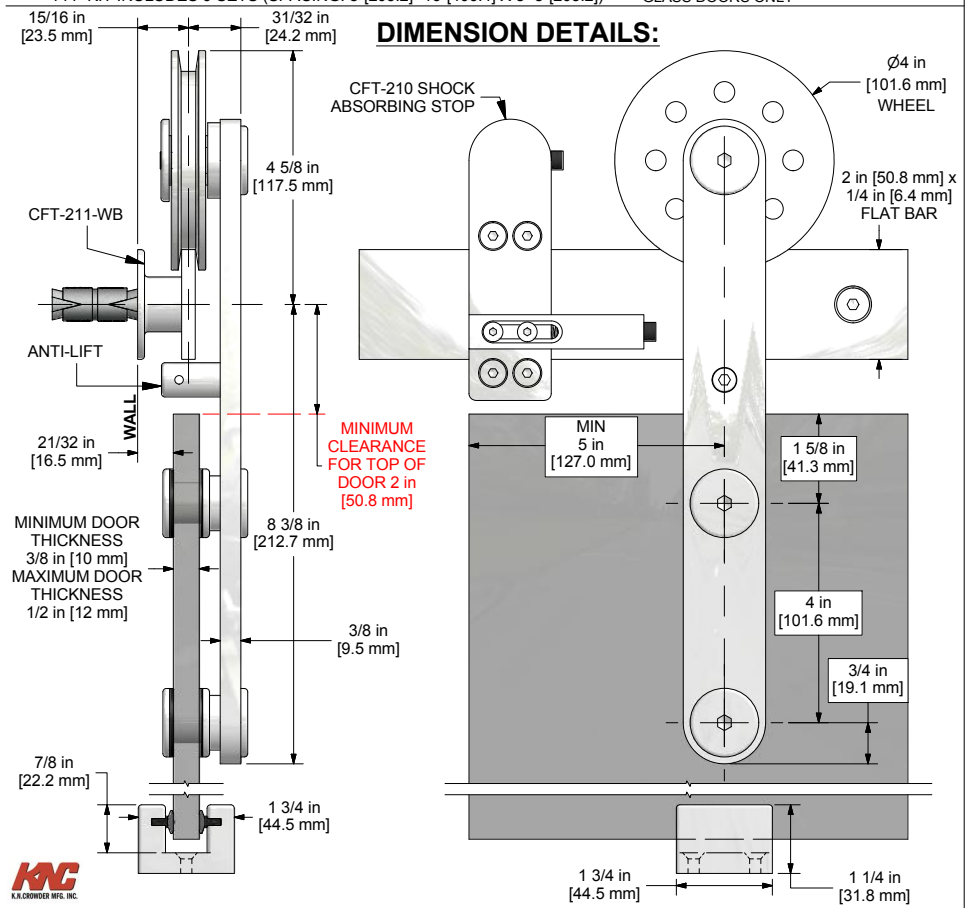
CRT-103 INSIDE CLAMP (4) **CRT-103 RUBBER O-RINGS (8)** **CGGS-038 OR CGGS-012 ALUMINUM BOTTOM GLASS STATIONARY GUIDE BASED ON GLASS SIZE (1)** **5/16"-18 EXPANSION SHIELD (*)**

CFT-200 SOLID FLAT BAR TRACK (1 X KIT LENGTH) **CFT-210 SHOCK ABSORBING STOP (1 - LEFT & 1 - RIGHT)** **5/16"-18 X 3" FLAT HEAD SOCKET SCREW (*)**

#6 X 1-1/2" FLATHEAD SCREWS (2)

LEGEND
 * - QUANTITY IS BASED ON KIT SIZE
 -72" KIT INCLUDES 5 SETS (SPACING: 8"[203.2] - 14"[355.6] X 4 - 8"[203.2])
 -84" KIT INCLUDES 6 SETS (SPACING: 7"[177.8] - 14"[355.6] X 5 - 7"[177.8])
 -96" KIT INCLUDES 6 SETS (SPACING: 8"[203.2] - 16"[406.4] X 5 - 8"[203.2])
 -108" KIT INCLUDES 7 SETS (SPACING: 6"[152.4] - 16"[406.4] X 6 - 6"[152.4])
 -120" KIT INCLUDES 8 SETS (SPACING: 7.5"[190.5] - 15"[381] X 7 - 7.5"[190.5])
 -144" KIT INCLUDES 9 SETS (SPACING: 8"[203.2] - 16"[406.4] X 8 - 8"[203.2])

SPECIFICATIONS:
 -LOAD CAPACITY: 350 LBS PER DOOR.
 -FOR SURFACE MOUNT/BARN STYLE APPLICATIONS.
 -NO HEIGHT ADJUSTMENT AVAILABLE ON HANGER
 -IDEAL FOR 3/8" [10mm] OR 1/2" [12mm] GLASS DOORS ONLY



INSTALLATION INSTRUCTIONS

STEP 1
 DETERMINE OPENING SIZE, DOOR SIZE & WALL HEIGHT BASED ON DIMENSIONS SHOWN IN DETAIL VIEWS AND CLEARANCE REQUIRED BELOW DOOR. TRACK SHOULD BE AT LEAST TWO TIMES DOOR WIDTH. EXAMPLE: 36" DOOR REQUIRES 72" TRACK. TRACK LENGTHS ARE ONLY AVAILABLE IN PER FOOT INCREMENTS. **CFT SERIES TRACK MUST BE INSTALLED ONTO SOLID BACKING/SUPPORT (IN WALL).** [FOR DRYWALL/WOOD BACKING, SEE SEPARATE INSTRUCTION SHEET]

STEP 2
 ONCE DOOR SIZE HAS BEEN DETERMINED, CALCULATE THE DISTANCE FROM THE FINISHED FLOOR TO THE CENTER OF THE TRACK WITH THE FOLLOWING FORMULA: **(NOTE: MINIMUM GROUND CLEARANCE IS 3/8" [9.5 mm], 1/2" [12.7 mm] IS USED FOR CALCULATION EXAMPLE. MINIMUM CLEARANCE FROM CENTER OF THE TRACK TO THE TOP OF THE DOOR IS 2" [50.8mm], 2-1/4" [57.2mm] IS USED FOR CALCULATION EXAMPLE.)**
 DOOR HEIGHT (A) + 2-1/4" [57.2 mm] + MINIMUM 1/2" [12.7 mm] GROUND CLEARANCE (B) = DISTANCE TO CENTER OF TRACK.
 I.E. FOR 84" [2134 mm] DOOR: 84" [2134 mm] (A) + 2-1/4" [57.2 mm] + 1/2" [12.7 mm] = 86-3/4" [2204 mm] FROM FINISHED FLOOR TO CENTER OF TRACK.
STOP: PLEASE REVIEW ANCHOR TYPE BEING USED BEFORE PROCEEDING. FOR WOOD ANCHORS, PLEASE REFER TO SEPARATE INSTRUCTION SHEET

STEP 3 (THIS STEP APPLIES TO 5/16"-18 EXPANSION SHIELD ONLY)
 MARK A HORIZONTAL LINE WITH A LEVEL ON WALL AT THE MEASUREMENT CALCULATED IN STEP 2. LOCATE TRACK ON WALL AND MARK HOLE LOCATIONS AS PER SPACING SHOWN IN THE LEGEND OR WITH TRACK. DRILL 5/8" HOLE AT LEAST 2" DEEP AT THE LOCATIONS MARKED.

STEP 4 (THIS STEP APPLIES TO 5/16"-18 EXPANSION SHIELD ONLY)
 INSERT ONE 5/16"-18 EXPANSION SHIELD (SUPPLIED) INTO EACH HOLE. **NOTE: INSERT WITH THREADED END INTO THE HOLE FIRST.**

STEP 5
 PLACE ONE CFT-211-WB (WALL BRACKET) ON EACH HOLE ON THE BACK OF THE TRACK (COUNTERSUNK SIDE ON TRACK IS THE FRONT FACE) WHILE PUTTING ONE 5/16"-18 X 3" FLAT HEAD SOCKET SCREW THROUGH THE FRONT HOLE.

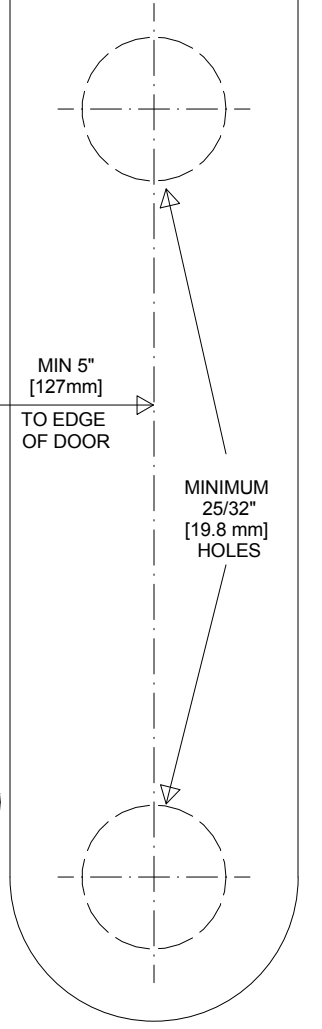
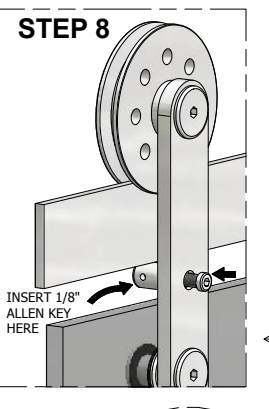
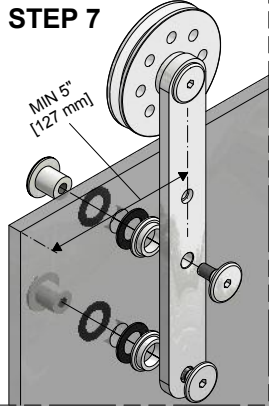
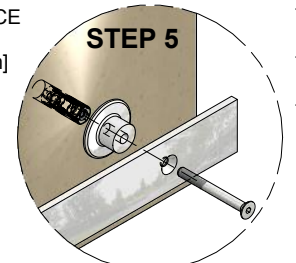
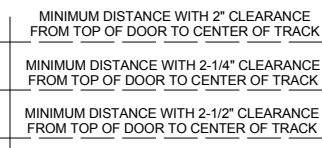
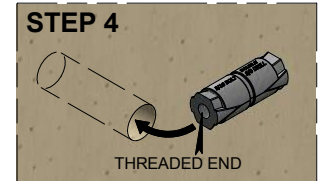
STEP 6
 LIFT TRACK UP TO WALL AND LOOSELY SCREW THE FLAT HEAD SOCKET SCREWS INTO THE EXPANSION SHIELDS PLACED IN STEP 4. SECURE TRACK TO WALL BY TIGHTENING FLAT HEAD SOCKET SCREWS. ENSURE THAT EXPANSION SHIELDS HAVE BEEN FULLY SEATED.

STEP 7
 PREPARE THE DOOR FOR MOUNTING THE CFT-203 STRAP HANGERS. MINIMUM HOLE SIZE IN DOOR MUST BE 25/32" [19.8mm]. SEE DIMENSION DETAILS AND TEMPLATE ON THE RIGHT FOR HOLE LOCATION. HANGERS SHALL BE INSTALLED A MINIMUM 5" FROM THE CENTER OF THE HANGER TO THE EDGES OF THE DOOR. USE TWO SETS OF CRT-103 FRONT SCREW, INSIDE CLAMP, O-RINGS & BACK CLAMP TO SECURE HANGER TO DOOR.

STEP 8
 PLACE DOOR ONTO TRACK. THE FLAT IN THE GROOVE OF THE WHEEL SHOULD BE RESTING ON THE TOP OF THE FLAT BAR TRACK. INSTALL CFT-201 ANTI-LIFT ONTO CFT-203 HANGER WITH THE SUPPLIED 5/16"-18 X 3/4" LOW PROFILE HEAD S/S SOCKET CAP SCREW WITH LOCTITE. **NOTE: THE "CFT-201 ANTI-LIFT" COMPONENT MUST BE INSTALLED AS THIS WILL PREVENT THE DOOR FROM LIFTING OFF THE TRACK. USE AN ALLEN KEY TO HOLD THE ANTI-LIFT (HOLE IN ANTI-LIFT) WHILE TIGHTENING THE SOCKET CAP SCREW.**

STEP 9
 INSTALL CFT-210 SHOCK ABSORBING STOPS FROM THE END OF THE TRACK. LOOSEN THE SCREWS HOLDING THE CLAMP TOGETHER TO ALLOW YOU TO SLIDE IT ONTO THE TRACK FROM THE ENDS. THERE IS ONE LEFT AND ONE RIGHT STOP FOR EACH DOOR. LOCATE THE STOPS AS REQUIRED TO LIMIT THE SLIDING DISTANCE OF THE DOOR AND SECURE THE STOP CLAMP TO THE TRACK WITH THE FOUR SCREWS. **NOTE: THE "CFT-210 STOPS" MUST BE INSTALLED AS THIS WILL PREVENT THE DOOR FROM RUNNING OFF THE TRACK AND PROVIDE THE REQUIRED STOPPING FORCE FOR THE DOOR(S).**

STEP 10
 LOCATE AND FASTEN THE CGGS-038 (FOR 3/8" [10mm] GLASS) OR CGGS-012 (FOR 1/2" [12mm] GLASS) BOTTOM STATIONARY GUIDE WITH TWO #6 X 1-1/2" FLATHEAD SCREWS TO THE FLOOR AT CENTER OF TRAVEL LENGTH. THE CGGS GUIDE SHOULD GUIDE THE DOOR WHEN IN THE FULLY OPENED OR CLOSED POSITION.



K.N. CROWDER MFG. INC.
 1220 BURLOAK DRIVE
 BURLINGTON, ONTARIO, CANADA, L7L 6B3
 TELEPHONE: 905-315-9788 - FAX: 905-315-8090
 TOLL FREE PHONE: 1-866-999-1KNC (1562)
 TOLL FREE FAX: 1-800-567-0123
 WEBSITE: www.kncrowder.com --- E-MAIL: customerservice@kncrowder.com

K.N. CROWDER INC.
 210 EIGHTH STREET SOUTH
 LEWISTON, NEW YORK, U.S.A. 14092
 TELEPHONE: 1-716-754-8247
 TOLL FREE FAX: 1-800-567-0123

CFT TRACK DRYWALL/WOOD BACKING

INSTALLATION INSTRUCTION SHEET



PARTS LIST

SEE 1/2" LONG ALUMINUM SPACER (*)
CRFT-DS
INSTRUCTION
SHEET

LEGEND

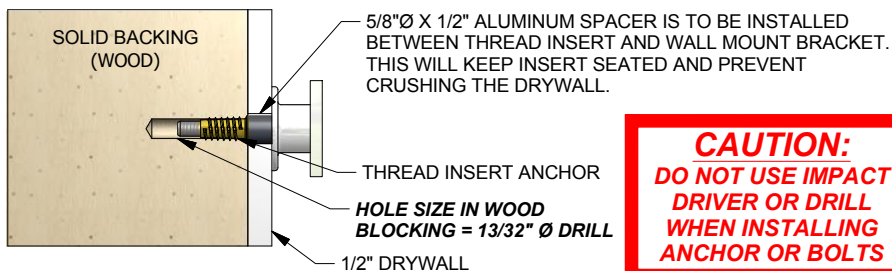
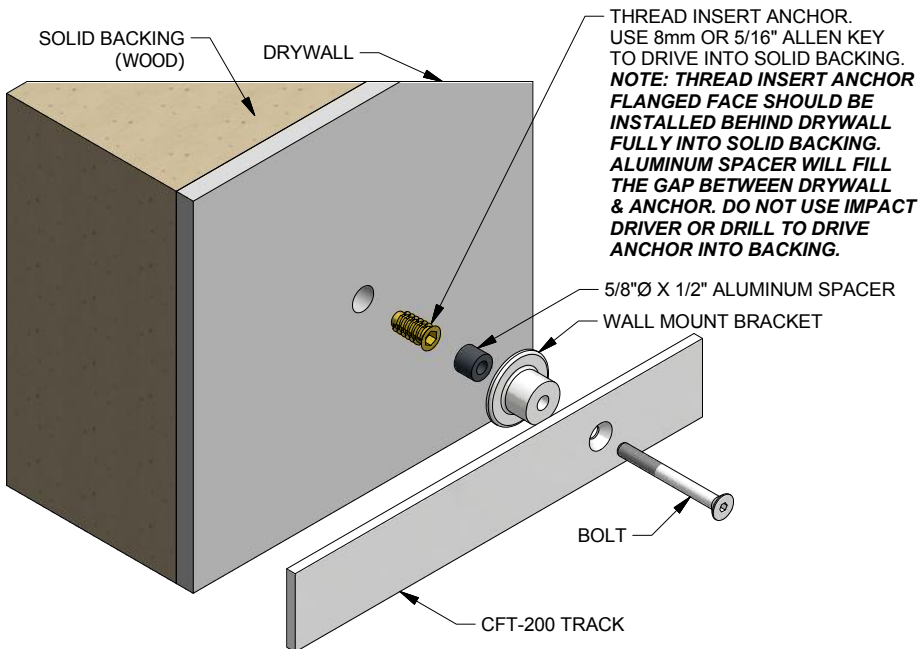
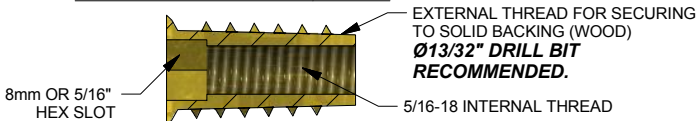
*- QUANTITY IS BASED ON KIT SIZE

- 72" KIT INCLUDES 5 SETS (SPACING: 8"[203.2] -14"[355.6] X 4 -8"[203.2])
- 84" KIT INCLUDES 6 SETS (SPACING: 7"[177.8] -14"[355.6] X 5 -7"[177.8])
- 96" KIT INCLUDES 6 SETS (SPACING: 8"[203.2] -16"[406.4] X 5 -8"[203.2])
- 108" KIT INCLUDES 7 SETS (SPACING: 6"[152.4] -16"[406.4] X 6 -6"[152.4])
- 120" KIT INCLUDES 8 SETS (SPACING: 7.5"[190.5] -15"[381] X 7 -7.5"[190.5])
- 144" KIT INCLUDES 9 SETS (SPACING: 8"[203.2] -16"[406.4] X 8 -8"[203.2])

5/16-18 INTERNAL THREAD INSERT ANCHOR (*)



THREAD INSERT ANCHOR DETAILS



CAUTION:
DO NOT USE IMPACT DRIVER OR DRILL WHEN INSTALLING ANCHOR OR BOLTS



K.N. CROWDER MFG. INC.
 1220 BURLOAK DRIVE
 BURLINGTON, ONTARIO, CANADA, L7L 6B3
 TELEPHONE: 905-315-9788 - FAX: 905-315-8090
 TOLL FREE FAX: 1-800-567-0123

K.N. CROWDER INC.
 210 EIGHTH STREET SOUTH
 LEWISTON, NEW YORK, U.S.A. 14092
 TELEPHONE: 1-716-754-8247
 TOLL FREE FAX: 1-800-567-0123

CRFT-DS DRYWALL SPACER

INSTRUCTION SHEET



NEW PARTS SUPPLIED IN CRT & CFT SERIES KITS



CRFT-DS Ø1-5/8" X 1/2" ALUMINUM
DRYWALL SPACER (X)
(SEE RESPECTIVE PRODUCT
INSTRUCTION SHEETS FOR QUANTITY)

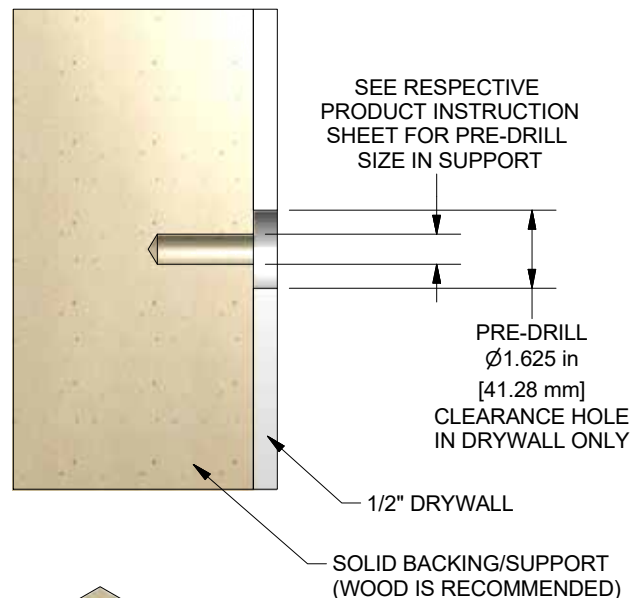
SUPPLIED WITH 1/2"
ALUMINUM SPACER AND
1/8" STEEL SPACER TO
ADD FOR 5/8" DRYWALL

REVISED STEPS:

AFTER MARKING A HORIZONTAL LINE WITH A LEVEL ON THE WALL AT THE MEASUREMENT AS PER THE RESPECTIVE PRODUCT INSTRUCTION SHEETS, LOCATE TRACK ON WALL AND MARK HOLE LOCATIONS AS PER THE SPACING STANDARDS BASED ON TRACK LENGTHS FOUND IN CHART A ON THE TEMPLATE SHEET OR WITH THE TRACK ON SITE.

ONCE THE HOLE LOCATIONS ARE MARKED, PRE-DRILL HOLES INTO THE WOOD SUPPORT AS REQUIRED ON THE RESPECTIVE PRODUCT INSTRUCTION SHEETS.

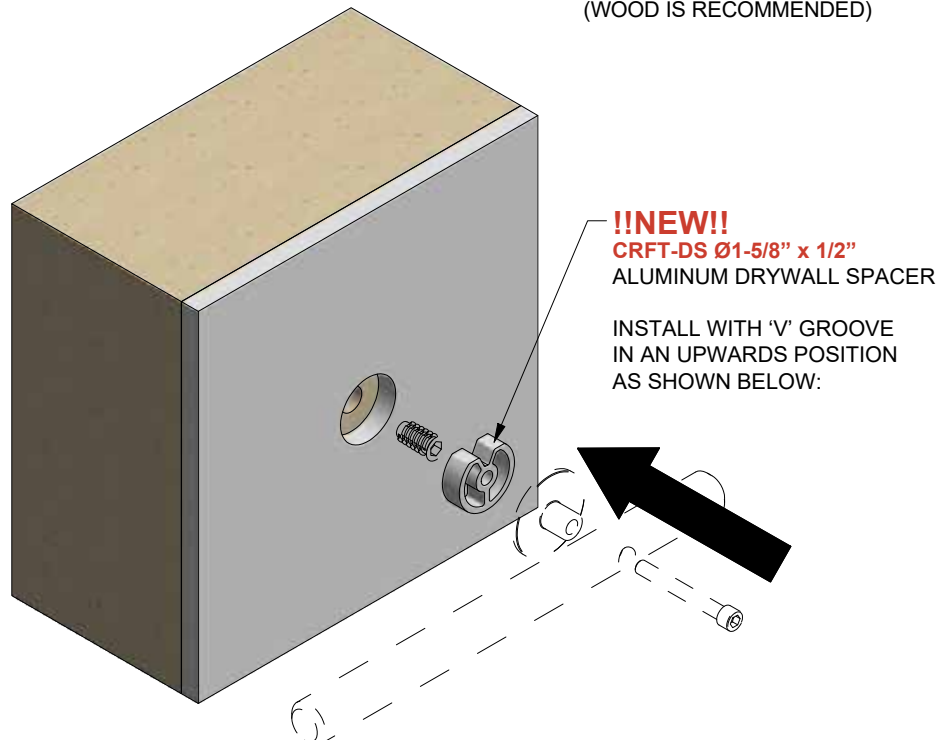
IF THERE IS DRYWALL PRESENT, PRE-DRILL A Ø1-5/8 in [41.3 mm] CLEARANCE HOLE IN THE DRYWALL PORTION OF THE HOLES ONLY. SEE ILLUSTRATIONS SHOWN TO THE RIGHT FOR ASSISTANCE.



REVISED STEPS:

INSTALL TRACK ONTO WALL WITH THE NECESSARY COMPONENTS AND IN THE ORDER AS SHOWN ON THE RESPECTIVE PRODUCT INSTRUCTION SHEETS. THE ILLUSTRATIONS TO THE RIGHT IS BASED ON DRYWALL APPLICATION. **NOTE: ENSURE TRACK IS LEVELED AND FULLY SECURED TO THE SUPPORT.**

INSTALL THE CRFT-DS DRYWALL SPACERS WITH THE "V" GROOVE IN AN UPWARDS POSITION AS PER THE ILLUSTRATION TO THE RIGHT.



A PRODUCT OF K.N. CROWDER MFG. INC