

CFT-GDP

Back-to-Back Flat Bar Glass Door Pulls

Installation Instructions

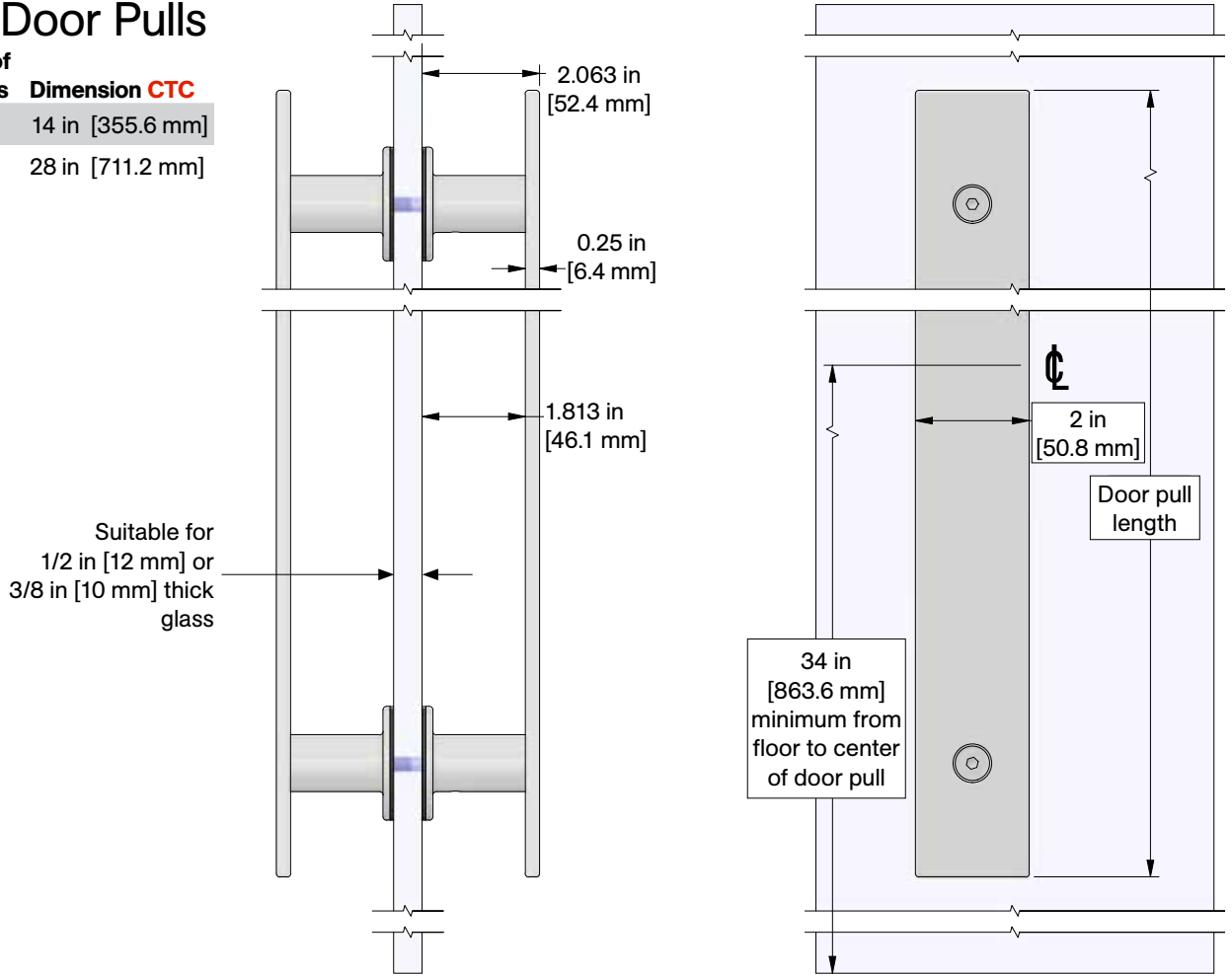
Door Thickness: 1/2 in [12 mm] to 3/8 in [10 mm]

Available in 2 in [50.8 mm] x 18 in [457.2 mm] or 36 in [914.4 mm] flat bar door pulls

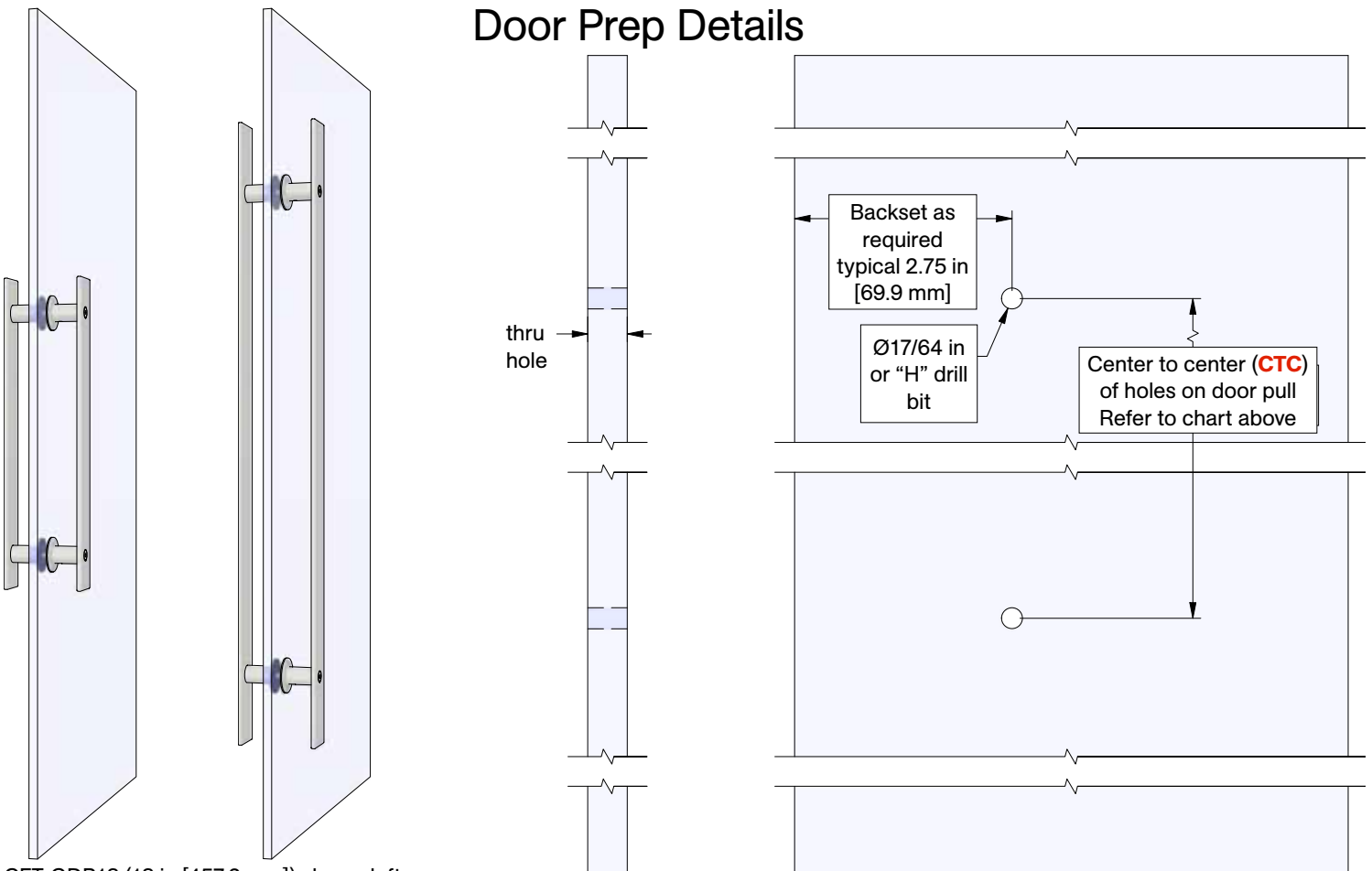
Center to Center Hole Spacing for Door Pulls

Overall Pull Length	No. of Holes	Dimension CTC
18 in [457.2 mm]	2	14 in [355.6 mm]
36 in [914.4 mm]	2	28 in [711.2 mm]

Product Dimension Details

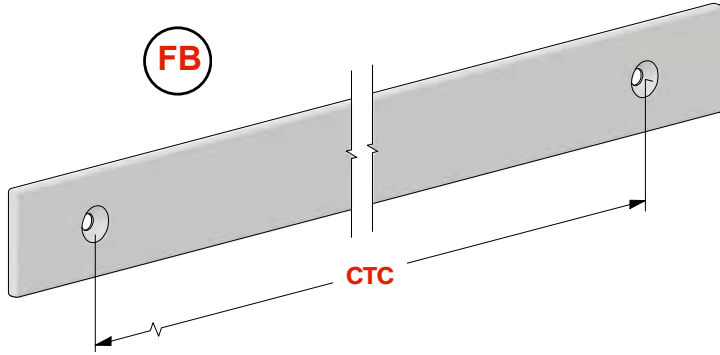


Door Prep Details



CFT-GDP18 (18 in [457.2 mm]) shown left
CFT-GDP36 (36 in [914.4 mm]) shown right

Parts List



Center to Center Hole Spacing for Door Pulls

Overall Pull Length	No. of Holes	Dimension CTC
18 in [457.2 mm]	2	14 in [355.6 mm]
36 in [914.4 mm]	2	28 in [711.2 mm]

CFT-FBDP-[door pull length] Flat Bar Door Pull (2)
Door pull length, see chart right

FC

5/16-18 x 3/4" Flat Head
Socket Cap Screw (4)

A

CFT-DPB-A (2)
Door pull bracket Type A, threaded hole
both ends

OR

CRFT-GWIR Rubber O-Ring (4)

GDS

CRFT-GDPSCREW (2)

Custom glass door pull screws, hex drive
one end, 1/4-20 thread opposite end

B

CFT-DPB-B (2)
Door pull bracket Type B, threaded hole one
end, clearance hole opposite end

SS

1/4-20 x 3/16" Cup Point
Socket Set Screw (2)

Assembly

