

CFT-GSP

Single Flat Bar Glass Door Pull

Installation Instructions

Door Thickness: 1/2 in [12 mm] to 3/8 in [10 mm]

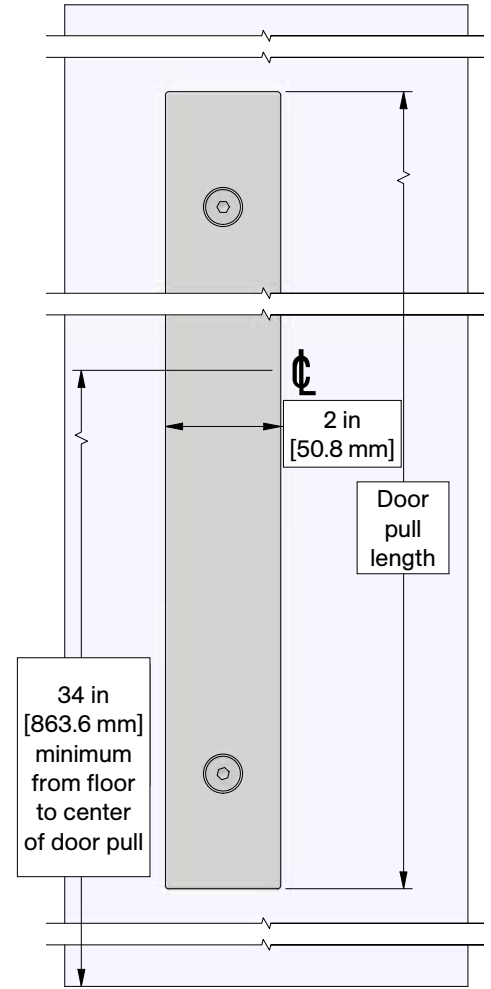
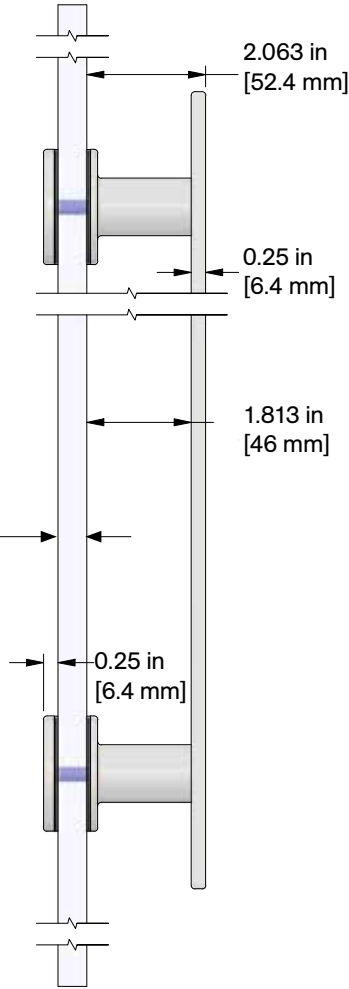
Available in 2 in [50.8 mm] x 18 in [457.2 mm] or 36 in [914.4 mm] flat bar door pull

Center to Center Hole Spacing for Door Pull

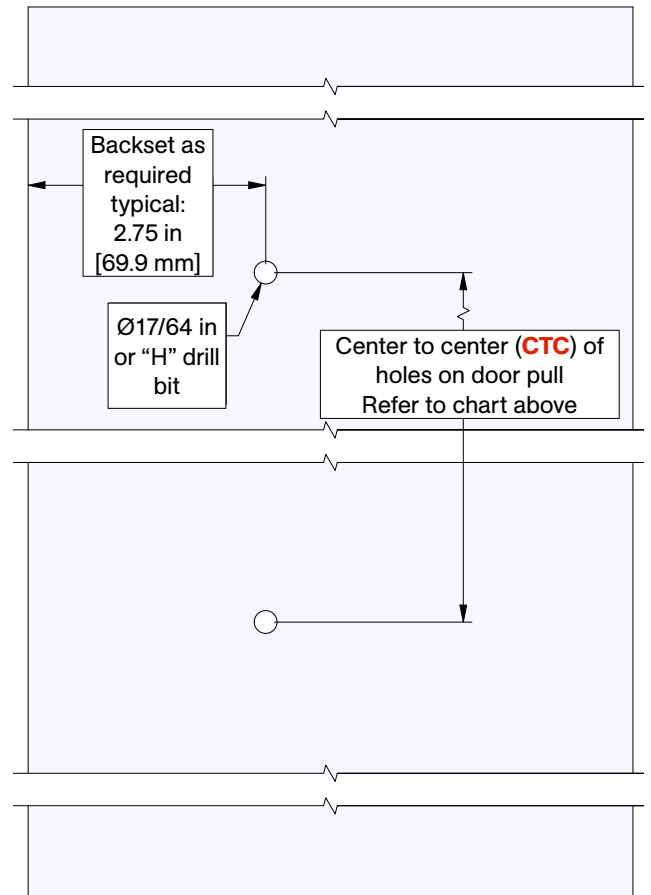
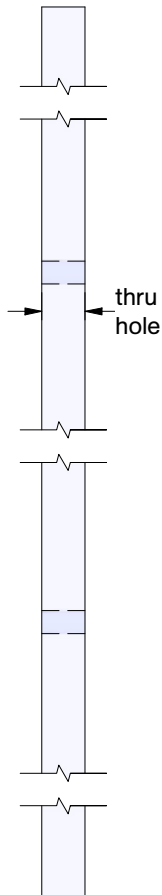
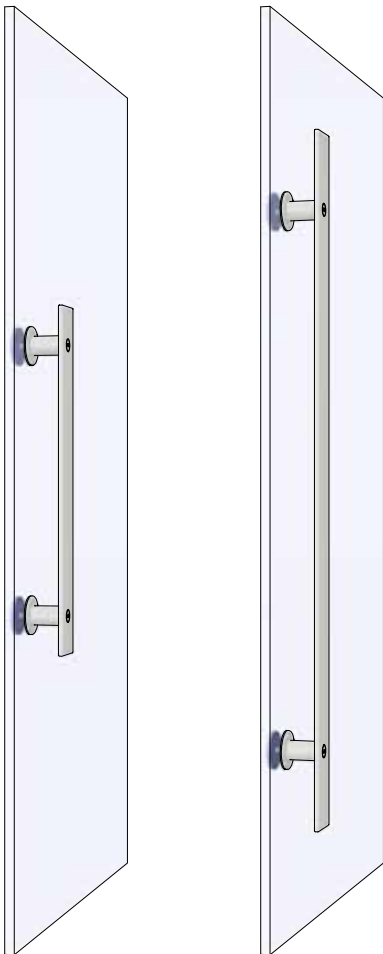
Overall Pull Length	No. of Holes	Dimension CTC
18 in [457.2 mm]	2	14 in [355.6 mm]
36 in [914.4 mm]	2	28 in [711.2 mm]

Suitable for 1/2 in [12 mm] or 3/8 in [10 mm] thick glass

Product Dimension Details

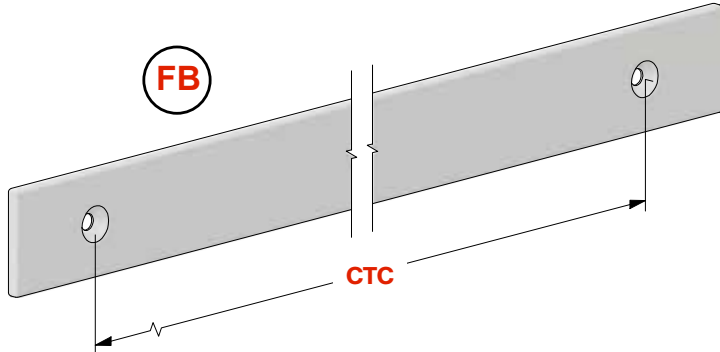


Door Prep Details



CFT-GSP18 (18 in [457.2 mm]) shown left
CFT-GSP36 (36 in [914.4 mm]) shown right

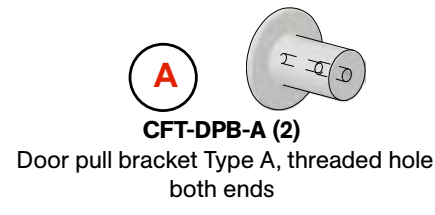
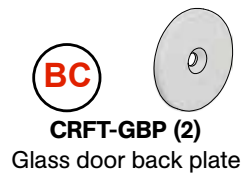
Parts List



Center to Center Hole Spacing for Door Pull

Overall Pull Length	No. of Holes	Dimension CTC
18 in [457.2 mm]	2	14 in [355.6 mm]
36 in [914.4 mm]	2	28 in [711.2 mm]

CFT-FBDP-[door pull length] Flat Bar Door Pull (1)
Door pull length, see chart right



Assembly

