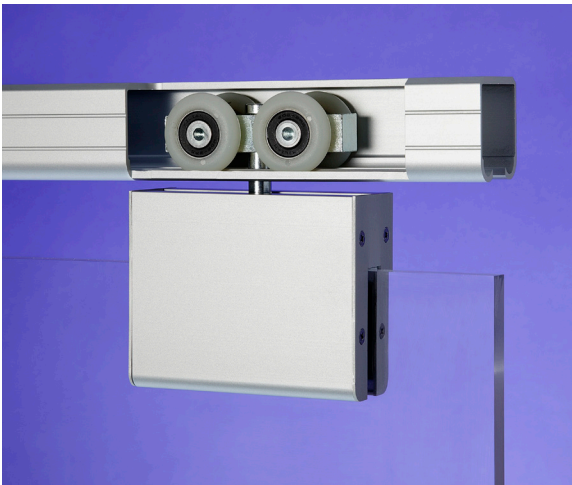


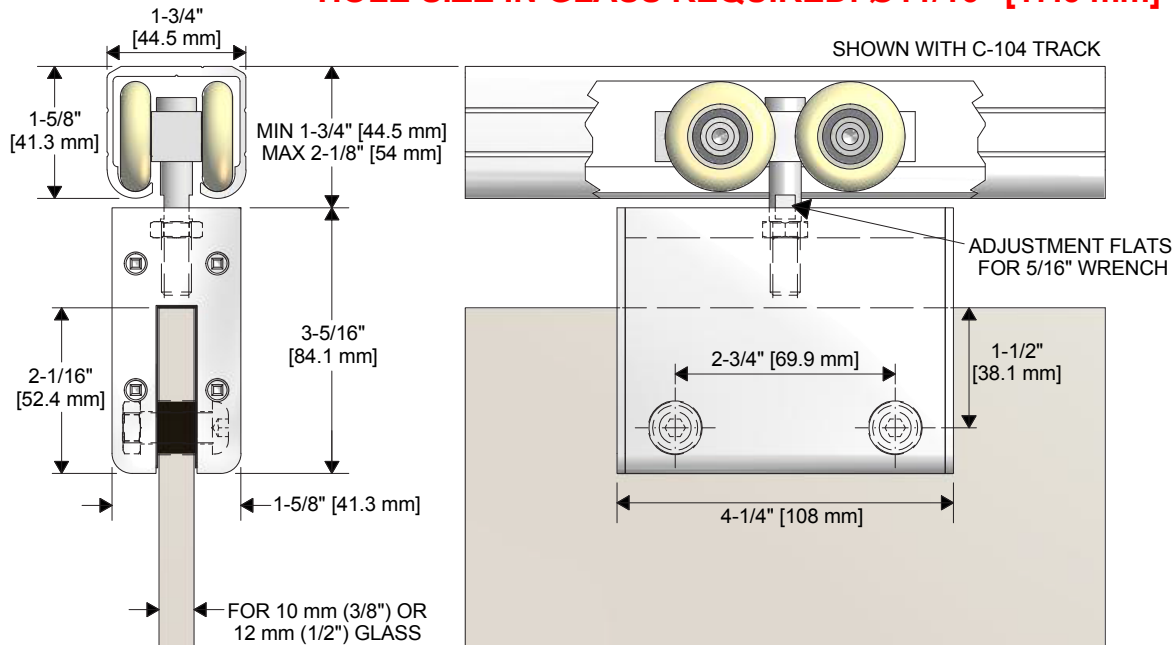
## CGH-038



### KEY FEATURES:

- Glass Hanger for 3/8" [10mm] thick glass
- Bolt through glass mounting
- Unique snap-on fascia covers the mounting hardware of the hangers and allows for minimum 1/8" [3.2mm] clearance between the bottom of the track to the top of the hanger.
- Hangers are fitted with four Precision Ball Bearing, nylon tire wheels for smooth and quiet operation.
- For use with **C-104** or **C-108** Track
- Load Capacity **300lbs. (two hangers)**

### HOLE SIZE IN GLASS REQUIRED: Ø11/16" [17.5 mm]



<b>Part Number:</b>		<b>Part Description:</b>	
<b>Customer Name:</b>	<b>Job Number/Name:</b>	<b>Date:</b>	<b>Provided By:</b>
<b>Notes:</b>			