

CPD-2X4-Joiner Kit

Installation Instructions for Bi-Parting Pocket Doors

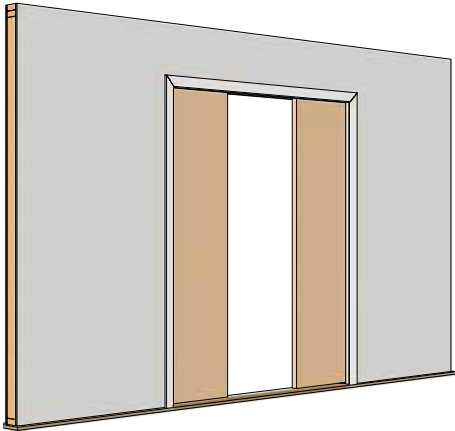


Table of Contents

Introduction

- 1 Parts List
- 2 Rough Opening Details

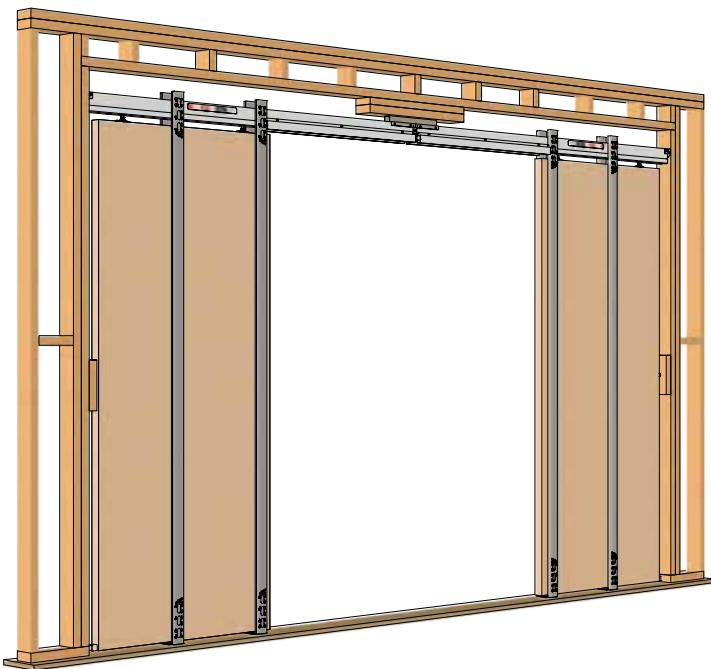
Instructions

- 3 Type CC
- 5 Type C

Note: Read carefully - contains information which if not followed may void warranty or cause injury to users

All testing on this product has been completed with 2x4 lumber framing studs or 3 5/8 in [92.1 mm] metal stud framing with integrated lumber framing for rough opening to provide sufficient structural support for crowder frame pocket door kits. (Framing details may differ based on region. Refer to your region's building codes for framing details.)

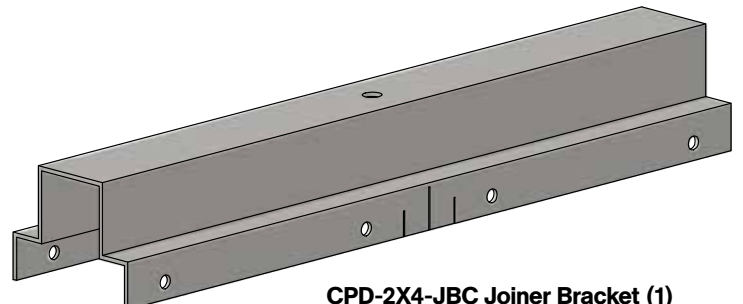
To ensure proper support is provided when using lumber or metal framing studs, verification by a certified structural engineer is required. KN Crowder is not responsible for framing details. KN Crowder's warranty will not cover any issues that result from incorrect structural support/framing details."



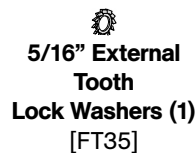
Complete 2x Type CC with CPD-2X4-Joiner Kit illustrated. Framing by others.

Parts List

Two 2X4 Crowder Frame pocket single door kits.
Example: Type CC (purchased separately)



CPD-2X4-JBC Joiner Bracket (1)



5/16" External
Tooth
Lock Washers (1)
[FT35]

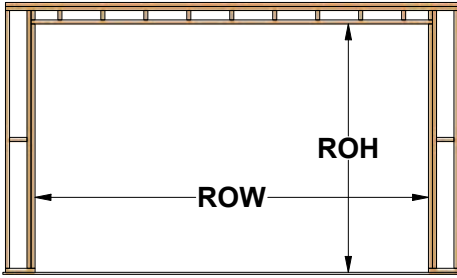


#10 x 1" Self-Drilling Screws (16)
[FT26]



1/4" x 6" Long Hex Lag Bolt (1)
[FT35]

Chart CPD-2X4-A and Rough Opening Size Details



Double/bi-parting door opening

Rough opening height (ROH) from finished floor:

At least 92 1/2 in [2350 mm] high for doors up to 84 in (7'-0") or [2150 mm]

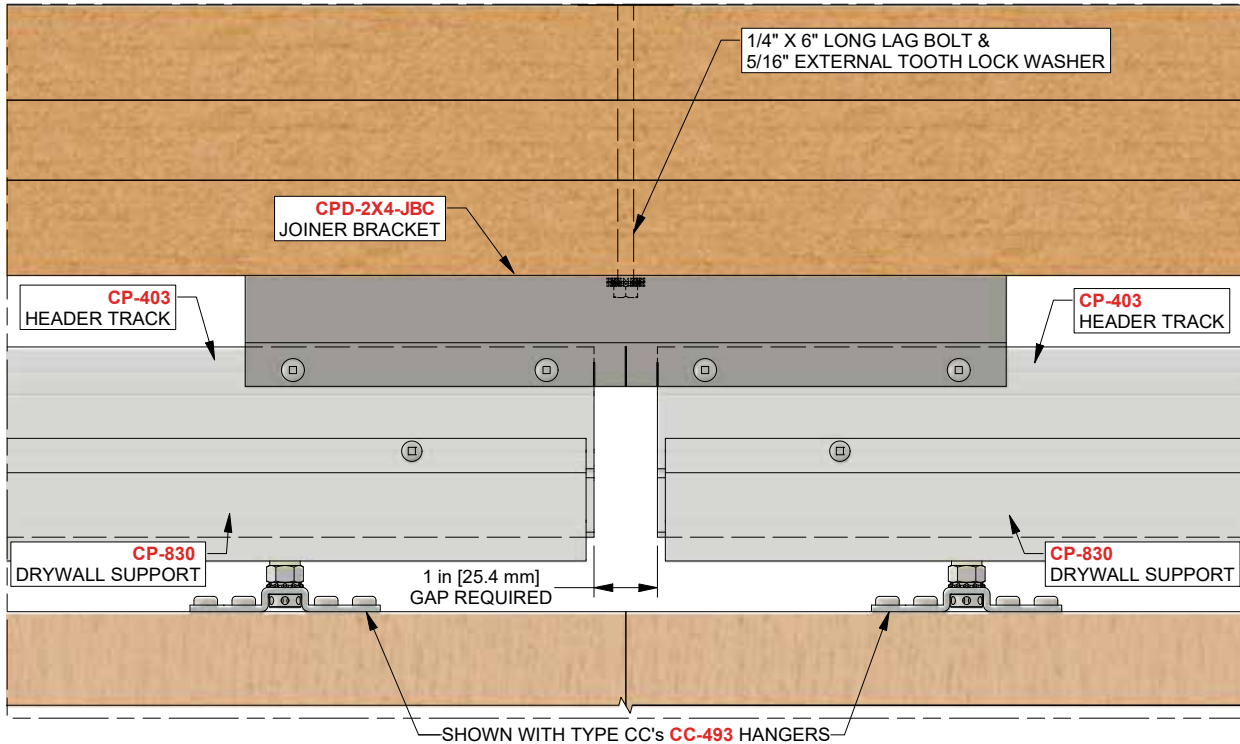
At least 104 1/2 in [2654 mm] high for doors up to 96 in (8'-0") or [455 mm] (-EXH8 kits)

Chart CPD-2X4-A: Rough opening size and track length

Qty 2 x door width:			Rough opening width (ROW):		Qty 2 x CP-[] track length required:		
18 in	(1'-6")	[457 mm]	74 1/2 in	[1892 mm]	36 5/8 in	[930 mm]	
20 in	(1'-8")	[508 mm]	82 1/2 in	[2096 mm]	40 5/8 in	[1032 mm]	
22 in	(1'-10")	[559 mm]	90 1/2 in	[2299 mm]	44 5/8 in	[1134 mm]	
24 in	(2'-0")	[610 mm]	98 1/2 in	[2502 mm]	48 5/8 in	[1235 mm]	Track length equal to:
26 in	(2'-2")	[660 mm]	106 1/2 in	[2705 mm]	52 5/8 in	[1337 mm]	2x door width
28 in	(2'-4")	[711 mm]	114 1/2 in	[2908 mm]	56 5/8 in	[1438 mm]	+ 5/8 in
30 in	(2'-6")	[762 mm]	122 1/2 in	[3112 mm]	60 5/8 in	[1540 mm]	[15.9 mm]
32 in	(2'-8")	[813 mm]	130 1/2 in	[3315 mm]	64 5/8 in	[1642 mm]	
34 in	(2'-10")	[864 mm]	138 1/2 in	[3518 mm]	68 5/8 in	[1743 mm]	
36 in	(3'-0")	[914 mm]	146 1/2 in	[3721 mm]	72 5/8 in	[1845 mm]	
38 in	(3'-2")	[965 mm]	154 1/2 in	[3924 mm]	76 5/8 in	[1946 mm]	
40 in	(3'-4")	[1016 mm]	162 1/2 in	[4128 mm]	80 5/8 in	[2048 mm]	Track length equal to:
42 in	(3'-6")	[1067 mm]	170 1/2 in	[4331 mm]	84 5/8 in	[2150 mm]	2x door width
44 in	(3'-8")	[1118 mm]	178 1/2 in	[4534 mm]	88 5/8 in	[2251 mm]	+ 5/8 in
46 in	(3'-10")	[1168 mm]	186 1/2 in	[4737 mm]	92 5/8 in	[2353 mm]	[15.9 mm]
48 in	(4'-0")	[1219 mm]	194 1/2 in	[4940 mm]	96 5/8 in	[2454 mm]	

Installation Instructions

For Type CC

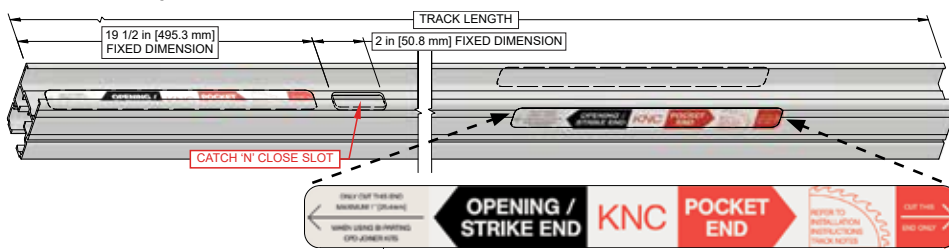


!! Important !!

**** This does not apply to narrow kits ****

Track Notes:

The supplied CP-403 Tracks features a Catch 'N' Close Slot along with stickers strategically placed as shown below. This Catch 'N' Close Slot is required to install and remove Catch 'N' Close Closing Devices without removing door, trim or opening wall. To cut correctly, follow notes and details below:



For double/bi-parting door kits:

Before cutting tracks to final size, 1 in [25.4 mm] must be cut off "opening/strike end" of both tracks (indicated by the light grey note on track stickers). Once 1 in [25.4 mm] is cut off from "opening/strike end" of tracks, cut both tracks to final size by cutting "pocket end" of tracks as shown above

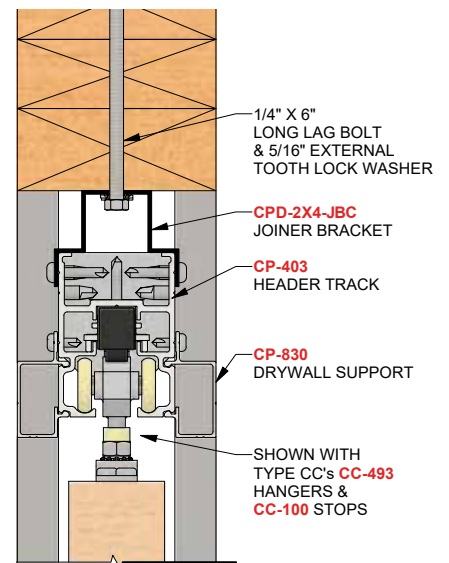
per column "CP-403 Track length required" in **Chart CPD-2X4-A**.

For two (2) doors up to 36 in [914 mm] wide:

Length is equal to 2 x door width + 5/8 in [15.9 mm]

For doors greater than 36 in [914 mm] up to 72 in [1829 mm] wide:

Length is equal to 2 x door width + 2 5/8 in [66.7 mm]



Step #CPD-1:

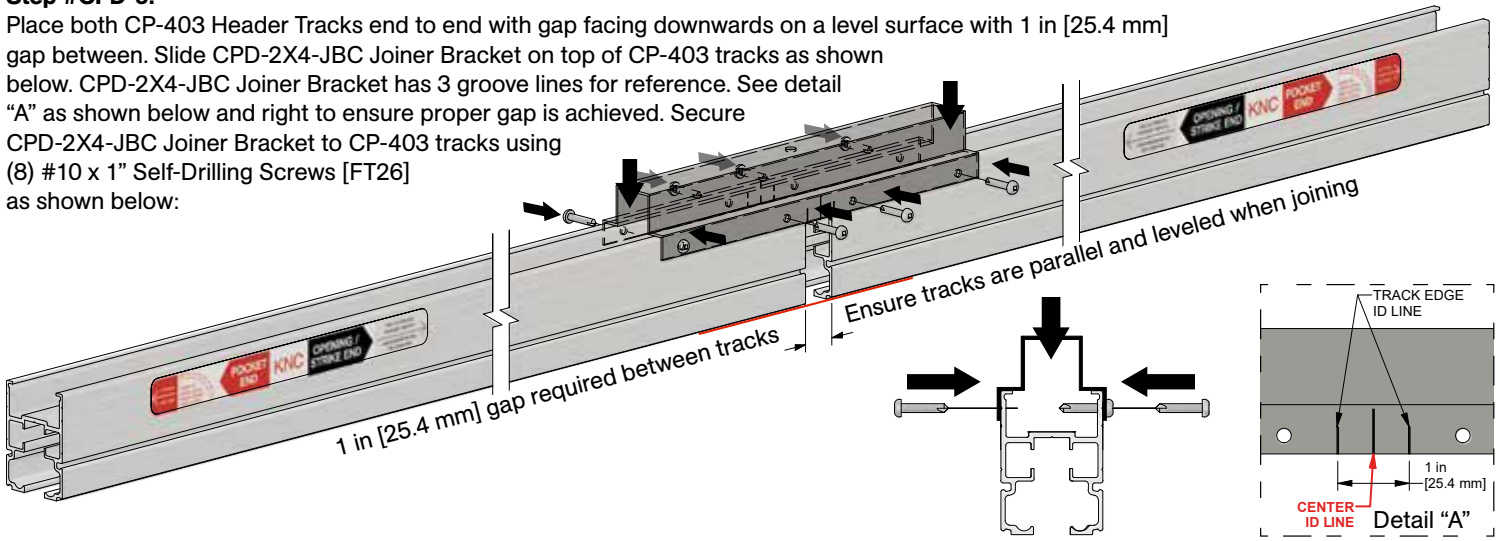
Refer to **Chart CPD-2X4-A** on page 1 for rough opening size. Follow **steps #1 - 2** on Type CC installation instructions page 7.

Step #CPD-2:

Cut two (2) CP-403 aluminum header tracks per **Track Notes** shown above:

Step #CPD-3:

Place both CP-403 Header Tracks end to end with gap facing downwards on a level surface with 1 in [25.4 mm] gap between. Slide CPD-2X4-JBC Joiner Bracket on top of CP-403 tracks as shown below. CPD-2X4-JBC Joiner Bracket has 3 groove lines for reference. See detail "A" as shown below and right to ensure proper gap is achieved. Secure CPD-2X4-JBC Joiner Bracket to CP-403 tracks using (8) #10 x 1" Self-Drilling Screws [FT26] as shown below:



Step #CPD-4:

Follow **steps #4 - 7** on Type CC installation instructions pages 8-9.

Step #CPD-5:

It is required to fill space between CPD-2X4-JBC Joiner Bracket and framing above. Measure gap and fill with blocking as shown left.

Note: Do not over or under fill gap. This could cause track to become unlevelled or out of plumb.

Step #CPD-6:

Secure CPD-2X4-JBC Joiner Bracket to framing header above using (1) 3/8" x 6" Long Lag Screw and (1) 3/8" External Tooth Lock Washer as shown left.

Note: this is mandatory in order to support middle section of track for double door kits. If not secured to framing above, middle section of double pocket door kit may sag and render doorway inoperable.

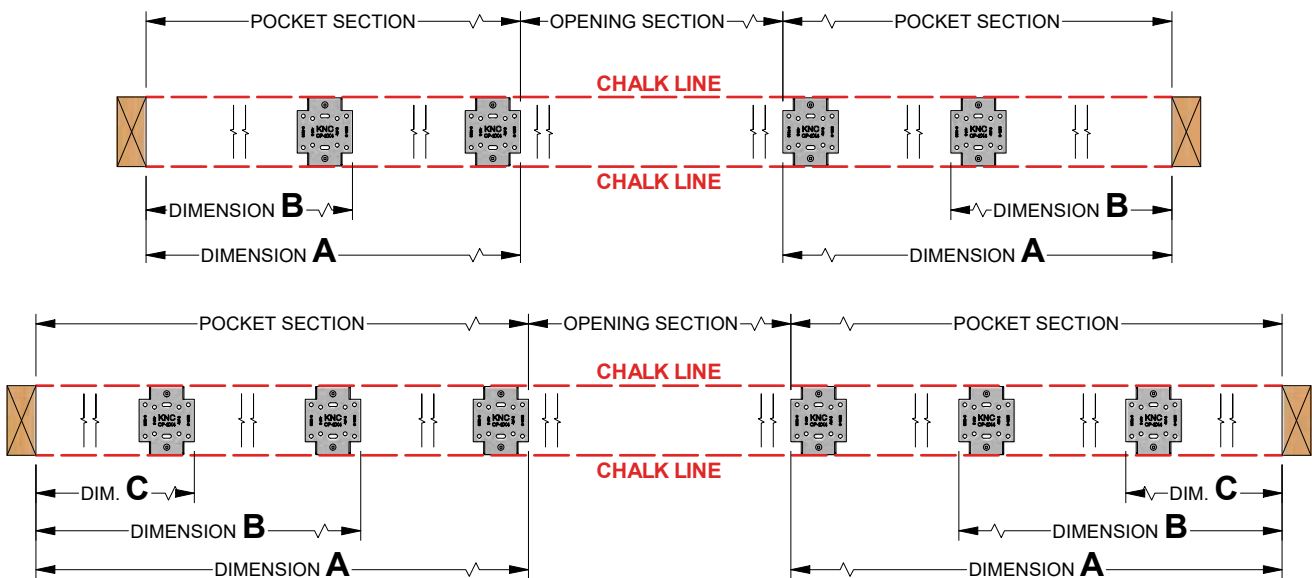
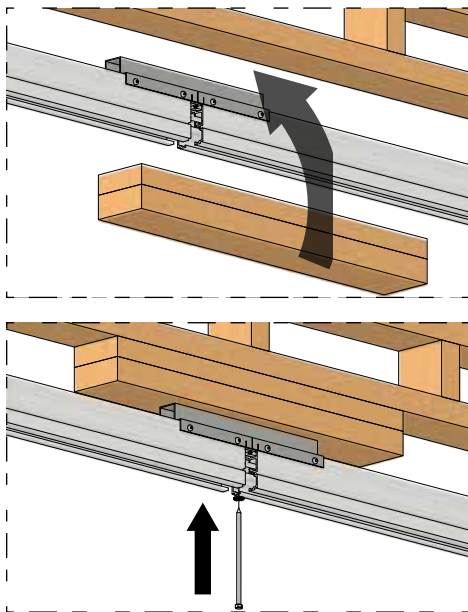
Step #CPD-7:

Use a chalk line against bottom studs of wall to mark lines of opening on both sides. Locate and secure CP-2X4 Foot Brackets (2) or (3) for extra width (EXW4) kits with (4 per bracket) #10 x 3/4" Pan Head Screws [FT3] as per foot bracket location **Chart C** on Type CC installation instructions pages 10-11.

Note: Foot brackets are reversible. Foot brackets are to be mounted on finished floor. If finished floor is not installed, shim foot brackets to thickness of finished floor.

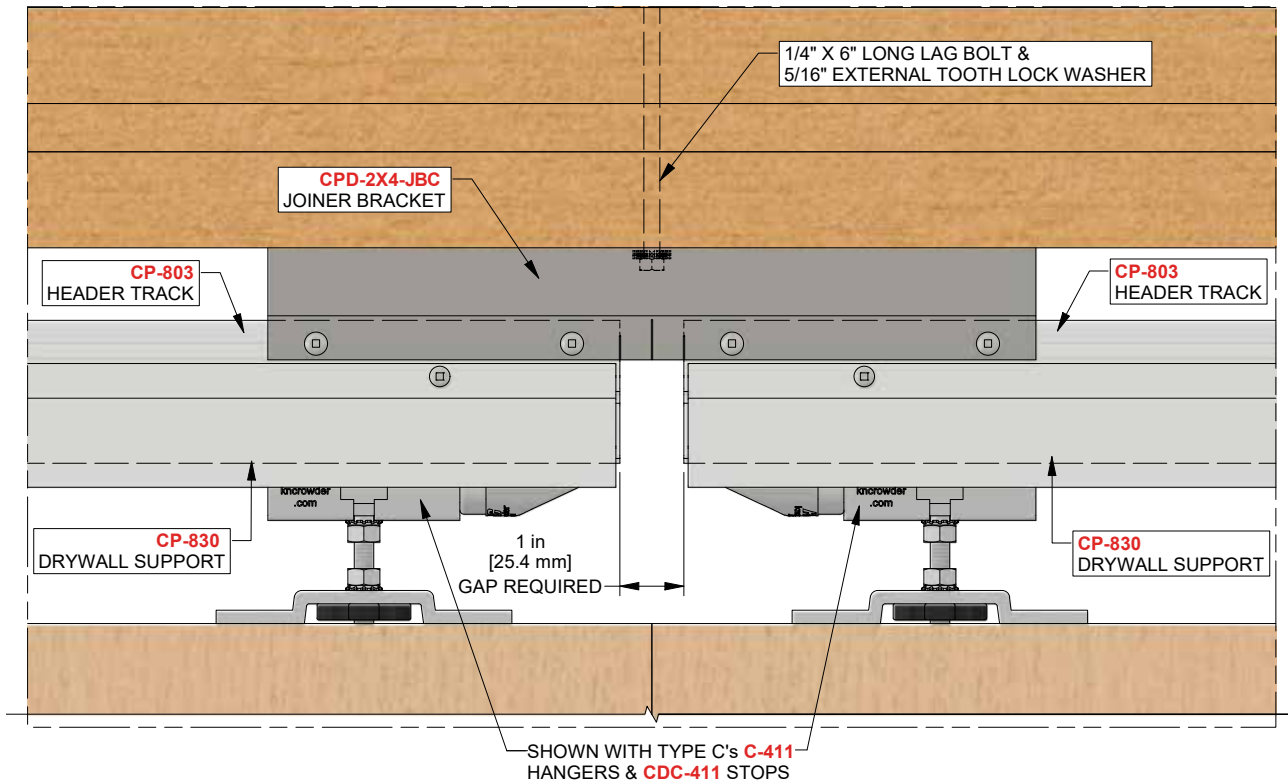
Step #CPD-8:

Follow **steps #10 - 33** on Type CC installation instructions pages 11-17.



Installation Instructions

For Type C



Step #CPD-1:

Refer to **Chart CPD-2X4-A** on page 1 for rough opening size. Follow **steps #1 - 2** on Type C and B installation instructions page 7.

Step #CPD-2:

Cut two (2) CP-803 aluminum header tracks to correct size if required. To calculate track length:

For doors up to 36 in [914 mm] wide:

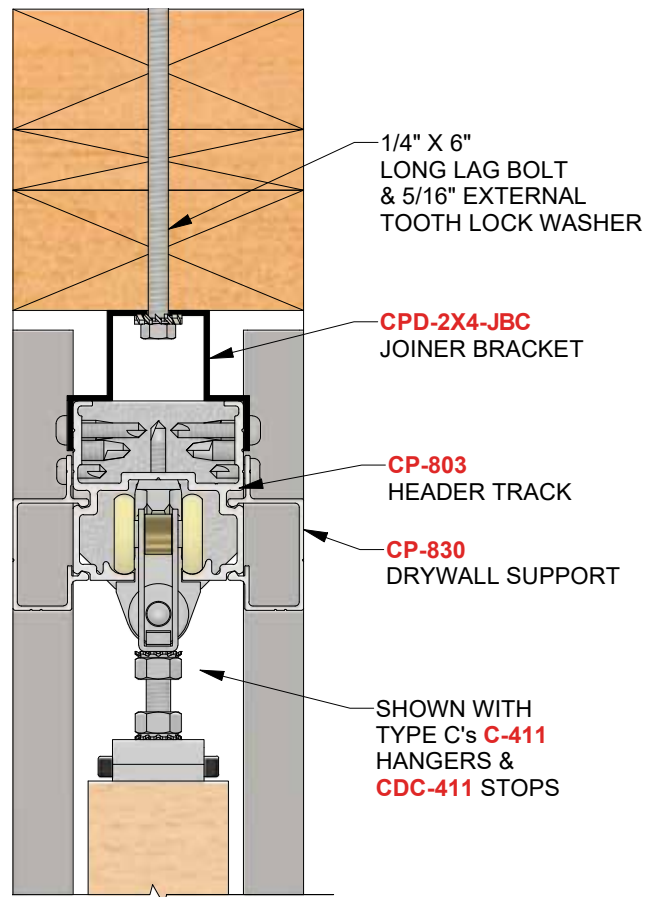
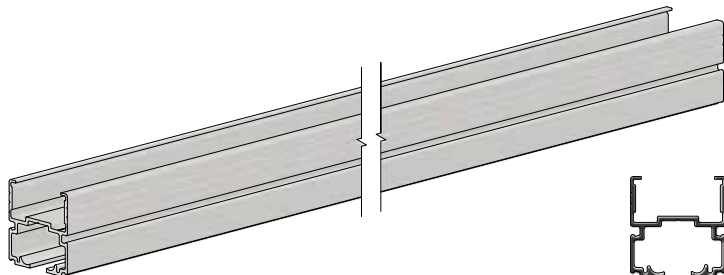
Length is equal to 2 x door width + 5/8 in [15.9 mm].

See column "CP-803 track length required" in **Chart CPD-2X4-A** for track lengths based on door widths.

For doors greater than 36 in [914 mm] up to 48 in [1219 mm] wide:

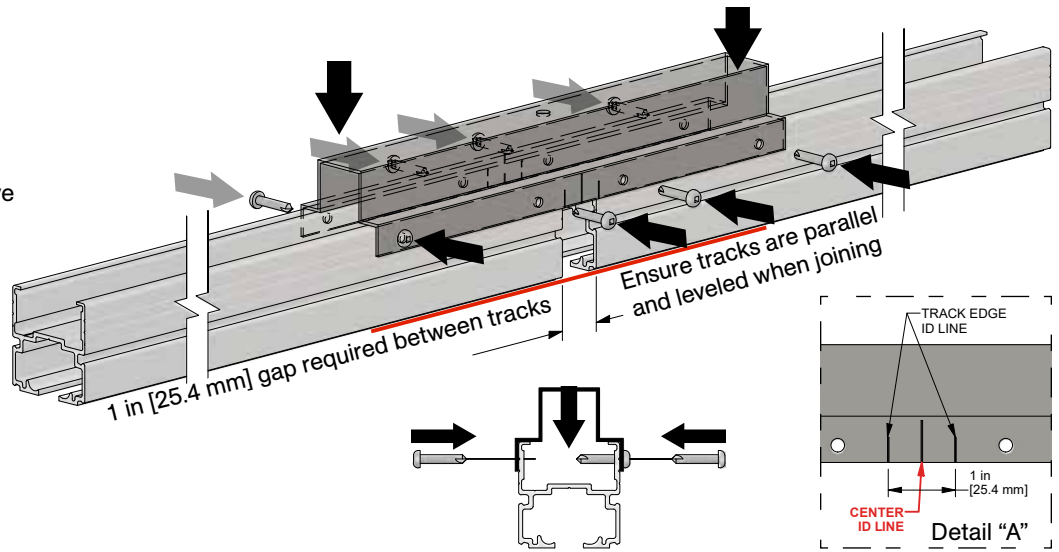
Length is equal to 2 x door width + 2 5/8 in [66.7 mm].

See column "CP-803 track length required" in **Chart CPD-2X4-A** for track lengths based on door widths.



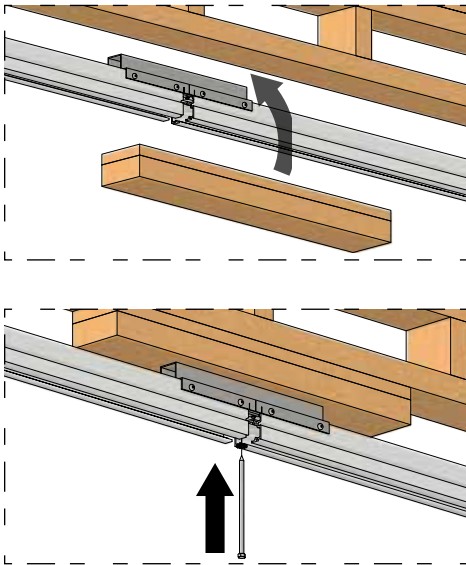
Step #CPD-3:

Place both CP-803 header tracks end to end with gap facing downwards on a level surface with 1 in [25.4 mm] gap between. Slide CPD-2X4-JBC Joiner Bracket on top of CP-803 tracks as shown below. CPD-2X4-JBC Joiner Bracket has 3 groove lines for reference. See detail "A" as shown below and right to ensure proper gap is achieved. Secure CPD-2X4-JBC Joiner Bracket to CP-803 tracks using (8) #10 x 1" Self-Drilling Screws [FT26] as shown right:



Step #CPD-4:

Follow **steps #4 - 7** on Type C and B installation instructions page 8.



Step #CPD-5:

It is required to fill space between CPD-2X4-JBC Joiner Bracket and framing above. Measure gap and fill with blocking as shown left.

Note: Do not over or under fill gap. This could cause track to become unlevelled or out of plumb.

Step #CPD-6:

Secure CPD-2X4-JBC Joiner Bracket to framing header above using (1) 1/4" x 6" Long Lag Screw and (1) 5/16" External Tooth Lock Washer [FT35] as shown bottom left.

Note: This is mandatory in order to support middle section of track for double door kits. If not secured to framing above, middle section of double pocket door kit may sag and render doorway inoperable.

Step #CPD-7:

Use a chalk line against bottom studs of wall to mark lines of opening on both sides. Locate and secure CP-2X4 Foot Brackets (2) or (3) for extra width (EXW4) kits with (2 per bracket) #8 x 3/4" Pan Head Screws [FT2] as per foot bracket location **Chart C** on Type C and B installation instructions page 9.

Note: Foot brackets are reversible. Foot brackets are to be mounted on finished floor. If finished floor is not installed, shim foot brackets to thickness of finished floor.

Step #CPD-8:

Follow **steps #9 - 25** on Type C and B installation instructions pages 10-13.

