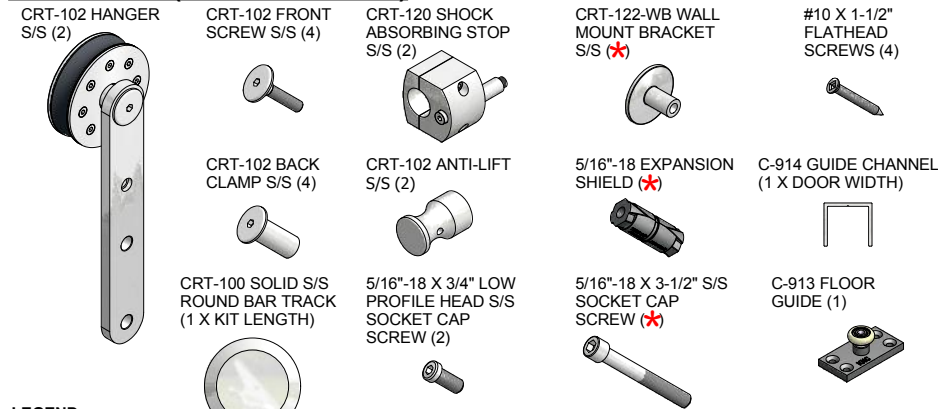


CRT-102 STRAP MOUNT HANGER SLIDING DOOR KIT INSTRUCTION SHEET FOR 1-3/4" DOORS



PARTS LIST (FOR 1 DOOR KIT)



LEGEND

- S/S - STAINLESS STEEL
 * - QUANTITY IS BASED ON KIT SIZE
 -72" KIT INCLUDES 5 SETS (SPACING: 8"[203.2] -14"[355.6] X 4 -8"[203.2])
 -84" KIT INCLUDES 6 SETS (SPACING: 7"[177.8] -14"[355.6] X 5 -7"[177.8])
 -96" KIT INCLUDES 6 SETS (SPACING: 8"[203.2] -16"[406.4] X 5 -8"[203.2])
 -108" KIT INCLUDES 7 SETS (SPACING: 6"[152.4] -16"[406.4] X 6 -6"[152.4])
 -120" KIT INCLUDES 8 SETS (SPACING: 7.5"[190.5] -15"[381] X 7 -7.5"[190.5])
 -144" KIT INCLUDES 9 SETS (SPACING: 8"[203.2] -16"[406.4] X 8 -8"[203.2])

SPECIFICATIONS:

- LOAD CAPACITY: 350 LBS PER DOOR.
- FOR SURFACE MOUNT/BARN STYLE APPLICATIONS.
- HEAVY-DUTY PRECISION BALL BEARING WITH DELRIN WHEEL. (1 PER HANGER)
- NO HEIGHT ADJUSTMENT AVAILABLE ON HANGER
- IDEAL FOR SOLID CORE DOORS 1-3/4" THICK

INSTALLATION INSTRUCTIONS

STEP 1

DETERMINE OPENING SIZE, DOOR SIZE & WALL HEIGHT BASED ON DIMENSIONS SHOWN IN DETAIL VIEWS AND CLEARANCE REQUIRED BELOW DOOR. TRACK SHOULD BE AT LEAST TWO TIMES DOOR WIDTH. EXAMPLE: 36" DOOR REQUIRES 72" TRACK. TRACK LENGTHS ARE ONLY AVAILABLE IN PER FOOT INCREMENTS. **CRT SERIES TRACK MUST BE INSTALLED ONTO SOLID BACKING/SUPPORT (IN WALL).** [FOR DRYWALL/WOOD BACKING, SEE SEPARATE INSTRUCTION SHEET]

STEP 2

ONCE DOOR SIZE HAS BEEN DETERMINED, CALCULATE THE DISTANCE FROM THE FINISHED FLOOR TO THE CENTER OF THE TRACK WITH THE FOLLOWING FORMULA: (NOTE: **MINIMUM GROUND CLEARANCE IS 3/8" [9.5 mm], 1/2" [12.7 mm] IS USED FOR CALCULATION EXAMPLE.** MINIMUM CLEARANCE FROM CENTER OF THE TRACK TO THE TOP OF THE DOOR IS 1-1/2" [38.1mm], 1-3/4" [44.5mm] IS USED FOR CALCULATION EXAMPLE.)
 DOOR HEIGHT (A) + 1-3/4" [44.5 mm] + MINIMUM 1/2" [12.7 mm] GROUND CLEARANCE (B) = DISTANCE TO CENTER OF TRACK.
 EXAMPLE FOR 84" [2134 mm] DOOR: 84" [2134 mm] (A) + 1-3/4" [44.5 mm] + 1/2" [12.7 mm] = 86-1/4" [2191 mm] FROM FINISHED FLOOR TO CENTER OF TRACK.

STOP: PLEASE REVIEW ANCHOR TYPE BEING USED BEFORE PROCEEDING. FOR WOOD ANCHORS, PLEASE REFER TO SEPARATE INSTRUCTION SHEET

STEP 3 (THIS STEP APPLIES TO 5/16"-18 EXPANSION SHIELD ONLY)

MARK A HORIZONTAL LINE WITH A LEVEL ON WALL AT THE MEASUREMENT CALCULATED IN STEP 2. LOCATE TRACK ON WALL AND MARK HOLE LOCATIONS AS PER SPACING SHOWN IN THE LEGEND OR WITH TRACK. DRILL 5/8" HOLE AT LEAST 2" DEEP AT THE LOCATIONS MARKED.

STEP 4 (THIS STEP APPLIES TO 5/16"-18 EXPANSION SHIELD ONLY)

INSERT ONE 5/16"-18 EXPANSION SHIELD (SUPPLIED) INTO EACH HOLE.

NOTE: INSERT WITH THREADED END INTO THE HOLE FIRST.

STEP 5

INSERT ONE CRT-122-WB (WALL BRACKET) INTO EACH HOLE ON THE BACK OF THE TRACK (LARGE HOLE ON TRACK IS THE BACK SIDE) WHILE PUTTING ONE 5/16"-18 X 3-1/2" S/S SOCKET CAP SCREW THROUGH THE FRONT HOLE.

STEP 6

LIFT TRACK UP TO WALL AND LOOSELY SCREW THE SOCKET CAP SCREWS INTO THE EXPANSION SHIELDS PLACED IN STEP 4. SECURE TRACK TO WALL BY TIGHTENING SOCKET CAP SCREWS. ENSURE THAT EXPANSION SHIELDS HAVE BEEN FULLY SEATED.

STEP 7

PREPARE BOTTOM OF DOOR & INSTALL C-914 GUIDE CHANNEL. SEE OPTION #1 ON THE C-913/C-914 INSTRUCTION SHEET FOR MORE DETAILS.

STEP 8

PREPARE THE DOOR FOR MOUNTING THE CRT-102 STRAP HANGERS. MINIMUM HOLE SIZE IN DOOR MUST BE 3/4" [19.1mm]. SEE DIMENSION DETAILS AND TEMPLATE ON THE RIGHT FOR HOLE LOCATION. HANGERS SHALL BE INSTALLED A MINIMUM 5" FROM THE CENTER OF THE HANGER TO THE EDGES OF THE DOOR. USE TWO SETS OF CRT-102 FRONT SCREW & BACK CLAMP TO SECURE HANGER TO DOOR.

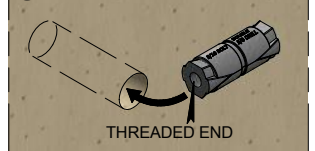
STEP 9

PLACE DOOR ONTO TRACK. THE DELRIN WHEEL SHOULD BE RESTING ON THE TOP OF THE ROUND BAR TRACK. INSTALL CRT-102 ANTI-LIFT ONTO CRT-102 HANGER WITH THE SUPPLIED 5/16"-18 X 3/4" LOW PROFILE HEAD S/S SOCKET CAP SCREW WITH LOCTITE. **NOTE: THE "CRT-102 ANTI-LIFT" COMPONENT MUST BE INSTALLED AS THIS WILL PREVENT THE DOOR FROM LIFTING OFF THE TRACK. USE AN ALLEN KEY TO HOLD THE ANTI-LIFT (HOLE IN ANTI-LIFT) WHILE TIGHTENING THE SOCKET CAP SCREW.**

STEP 10

INSTALL CRT-120 SHOCK ABSORBING STOPS FROM THE END OF THE TRACK. LOOSEN THE CAP SCREWS HOLDING THE CLAMP TOGETHER TO ALLOW YOU TO SLIDE IT ONTO THE TRACK FROM THE ENDS. THE STOPS ARE REVERSIBLE. LOCATE THE STOPS AS REQUIRED TO LIMIT THE SLIDING DISTANCE OF THE DOOR AND SECURE THE STOP CLAMP TO THE TRACK WITH THE TWO CAPS SCREWS. **NOTE: THE "CRT-120 STOPS" MUST BE INSTALLED AS THIS WILL PREVENT THE DOOR FROM RUNNING OFF THE TRACK AND PROVIDE THE REQUIRED STOPPING FORCE FOR THE DOOR(S).**

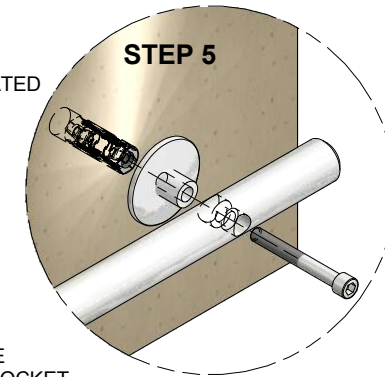
STEP 4



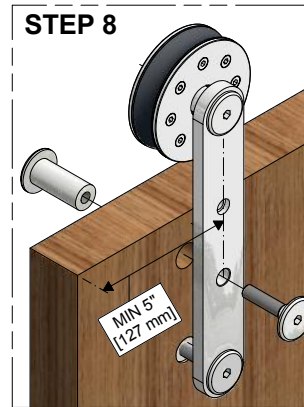
MINIMUM DISTANCE WITH 1-1/2" CLEARANCE FROM TOP OF DOOR TO CENTER OF TRACK

MINIMUM DISTANCE WITH 1-3/4" CLEARANCE FROM TOP OF DOOR TO CENTER OF TRACK

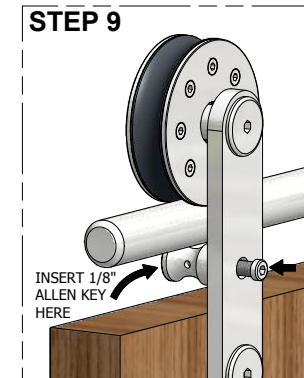
MINIMUM DISTANCE WITH 2" CLEARANCE FROM TOP OF DOOR TO CENTER OF TRACK



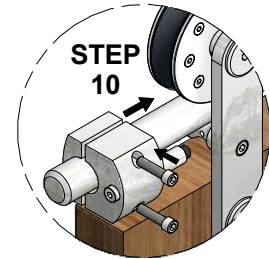
STEP 5



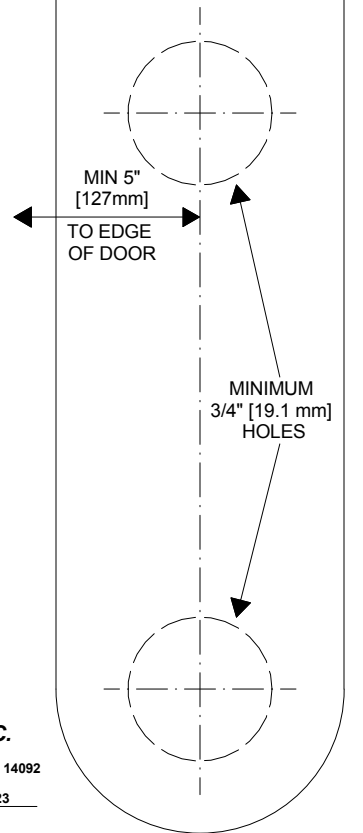
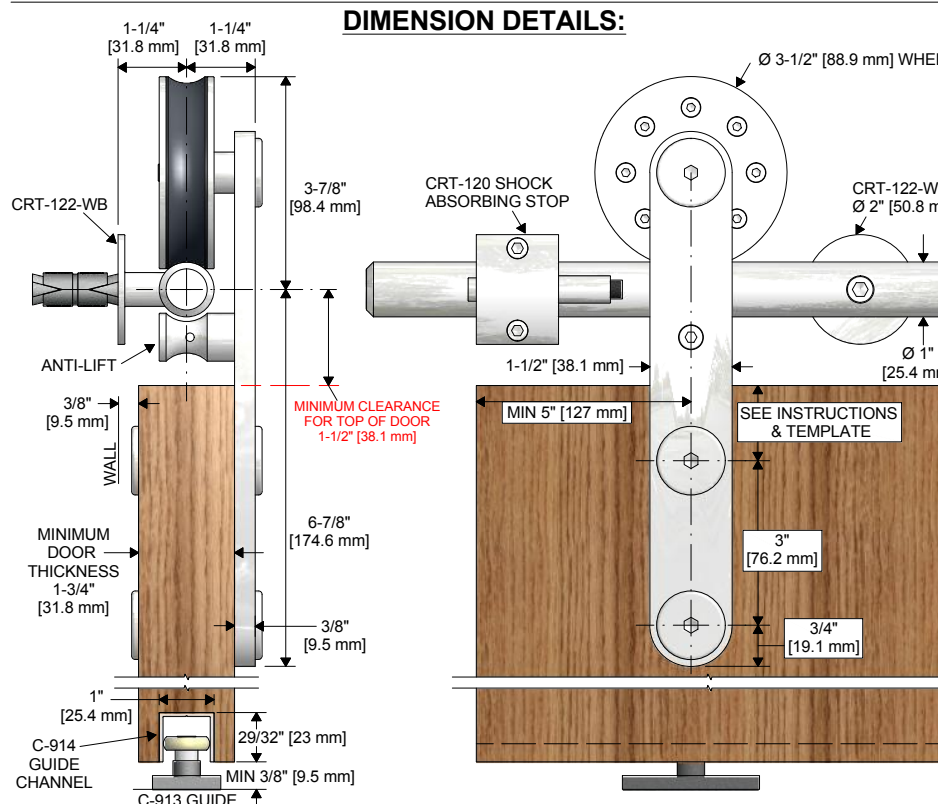
STEP 8



STEP 9



STEP 10



K.N. CROWDER MFG. INC.
 1220 BURL OAK DRIVE
 BURLINGTON, ONTARIO, CANADA, L7L 6B3
 TELEPHONE: 905-315-9788 - FAX: 905-315-8090
 TOLL FREE FAX: 1-800-567-0123
 WEBSITE: www.kncrowder.com -- E-MAIL: customerservice@kncrowder.com

K.N. CROWDER INC.
 210 EIGHTH STREET SOUTH
 LEWISTON, NEW YORK, U.S.A. 14092
 TELEPHONE: 1-716-754-8247
 TOLL FREE FAX: 1-800-567-0123

CRT TRACK DRYWALL/WOOD BACKING

INSTALLATION INSTRUCTION SHEET



PARTS LIST

SEE 1/2" LONG ALUMINUM
SPACER IN
CRFT-DS
INSTRUCTION
SHEET

LEGEND

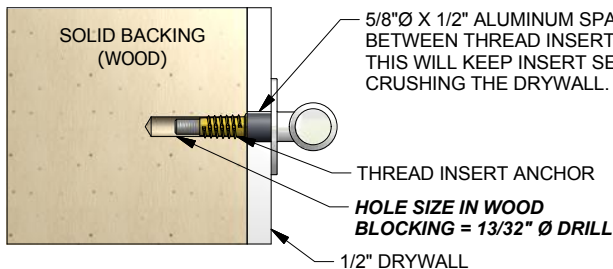
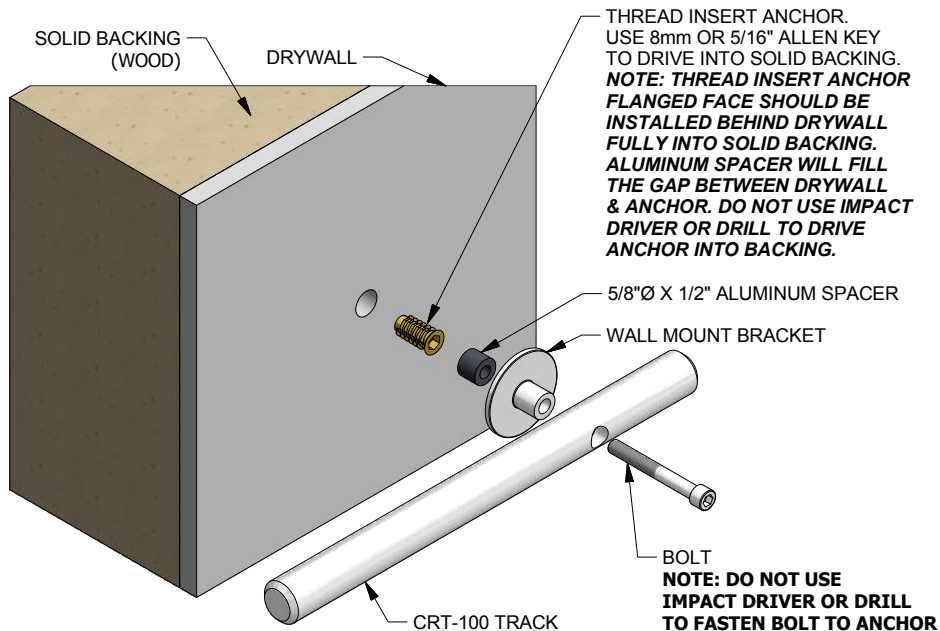
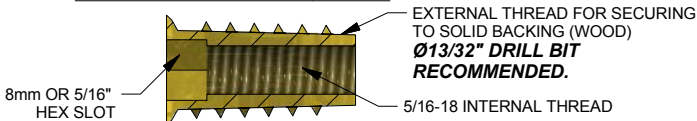
* QUANTITY IS BASED ON KIT SIZE

- 72" KIT INCLUDES 5 SETS (SPACING: 8"[203.2] -14"[355.6] X 4 -8"[203.2])
- 84" KIT INCLUDES 6 SETS (SPACING: 7"[177.8] -14"[355.6] X 5 -7"[177.8])
- 96" KIT INCLUDES 6 SETS (SPACING: 8"[203.2] -16"[406.4] X 5 -8"[203.2])
- 108" KIT INCLUDES 7 SETS (SPACING: 6"[152.4] -16"[406.4] X 6 -6"[152.4])
- 120" KIT INCLUDES 8 SETS (SPACING: 7.5"[190.5] -15"[381] X 7 -7.5"[190.5])
- 144" KIT INCLUDES 9 SETS (SPACING: 8"[203.2] -16"[406.4] X 8 -8"[203.2])

5/16-18 INTERNAL THREAD
INSERT ANCHOR (*)



THREAD INSERT ANCHOR DETAILS



CAUTION:
DO NOT USE IMPACT DRIVER OR DRILL WHEN INSTALLING ANCHOR OR BOLTS



K.N. CROWDER MFG. INC.
1220 BURLOAK DRIVE
BURLINGTON, ONTARIO, CANADA, L7L 6B3
TELEPHONE: 905-315-9788 - FAX: 905-315-8090
TOLL FREE FAX: 1-800-567-0123

K.N. CROWDER INC.
210 EIGHTH STREET SOUTH
LEWISTON, NEW YORK, U.S.A. 14092
TELEPHONE: 1-716-754-8247
TOLL FREE FAX: 1-800-567-0123

CRFT-DS DRYWALL SPACER

INSTRUCTION SHEET



NEW PARTS SUPPLIED IN CRT & CFT SERIES KITS



CRFT-DS Ø1-5/8" X 1/2" ALUMINUM
DRYWALL SPACER (X)
(SEE RESPECTIVE PRODUCT
INSTRUCTION SHEETS FOR QUANTITY)

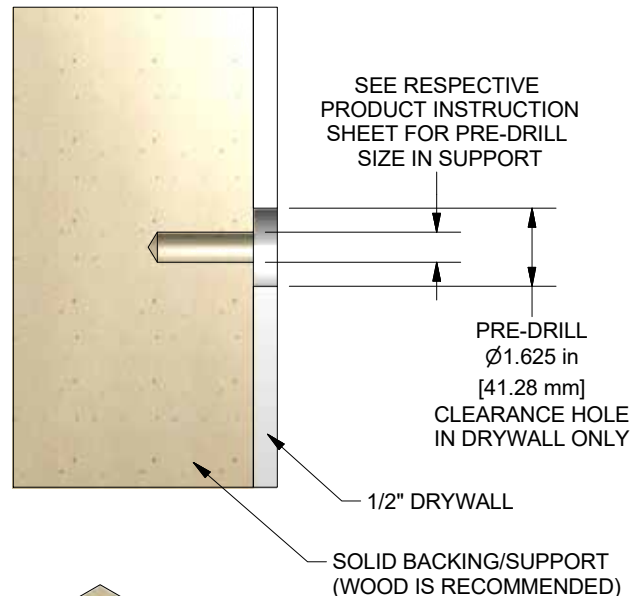
SUPPLIED WITH 1/2"
ALUMINUM SPACER AND
1/8" STEEL SPACER TO
ADD FOR 5/8" DRYWALL

REVISED STEPS:

AFTER MARKING A HORIZONTAL LINE WITH A LEVEL ON THE WALL AT THE MEASUREMENT AS PER THE RESPECTIVE PRODUCT INSTRUCTION SHEETS, LOCATE TRACK ON WALL AND MARK HOLE LOCATIONS AS PER THE SPACING STANDARDS BASED ON TRACK LENGTHS FOUND IN CHART A ON THE TEMPLATE SHEET OR WITH THE TRACK ON SITE.

ONCE THE HOLE LOCATIONS ARE MARKED, PRE-DRILL HOLES INTO THE WOOD SUPPORT AS REQUIRED ON THE RESPECTIVE PRODUCT INSTRUCTION SHEETS.

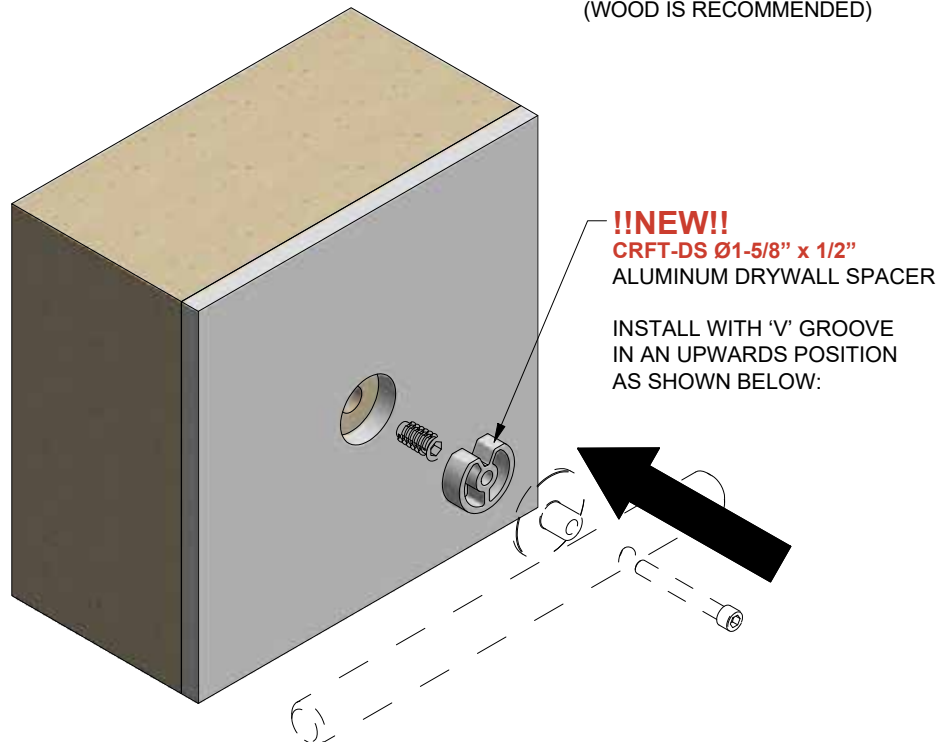
IF THERE IS DRYWALL PRESENT, PRE-DRILL A Ø1-5/8 in [41.3 mm] CLEARANCE HOLE IN THE DRYWALL PORTION OF THE HOLES ONLY. SEE ILLUSTRATIONS SHOWN TO THE RIGHT FOR ASSISTANCE.



REVISED STEPS:

INSTALL TRACK ONTO WALL WITH THE NECESSARY COMPONENTS AND IN THE ORDER AS SHOWN ON THE RESPECTIVE PRODUCT INSTRUCTION SHEETS. THE ILLUSTRATIONS TO THE RIGHT IS BASED ON DRYWALL APPLICATION. **NOTE: ENSURE TRACK IS LEVELED AND FULLY SECURED TO THE SUPPORT.**

INSTALL THE CRFT-DS DRYWALL SPACERS WITH THE "V" GROOVE IN AN UPWARDS POSITION AS PER THE ILLUSTRATION TO THE RIGHT.



A PRODUCT OF K.N. CROWDER MFG. INC

K.N. Crowder Mfg. Inc. • 1220 Burloak Drive • Burlington, Ontario, Canada • L7L 6B3 • K.N. Crowder Inc. • 210 Eighth Street South • Lewiston, New York • 14092
TOLL-FREE PHONE: 1-866-999-1KNC (1562) • TOLL-FREE FAX: 1-800-567-0123 • WEBSITE: www.kncrowder.com • EMAIL: customerservice@kncrowder.com

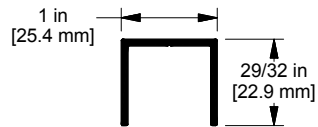
© 2016 K.N. CROWDER MFG. INC. All Rights Reserved.

C-913/C-913-2 SERIES GUIDE SYSTEMS

INSTRUCTION SHEET

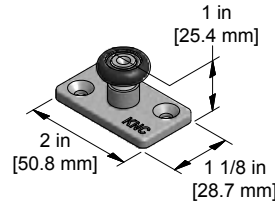
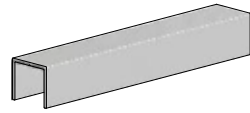


AVAILABLE PARTS FOR C-913/C-913-2 GUIDE SYSTEMS



C-914 GUIDE CHANNEL X LENGTH

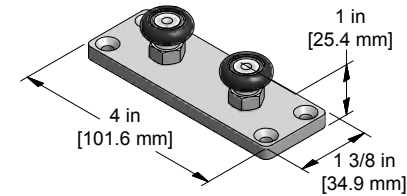
(FOR GUIDE CHANNEL RECESSED INTO BOTTOM OF DOOR, LENGTH = DOOR WIDTH, EXAMPLE: 36" [914MM] DOOR = 36" [914MM] GUIDE CHANNEL)
 (FOR GUIDE CHANNEL MOUNTED IN FLOOR, LENGTH = OPENING WIDTH + POCKET IF APPLICABLE, EXAMPLE: TWO 36" [914 MM] DOORS IN A BY-PASSING APPLICATION WILL REQUIRE TWO 72" [1828 MM] LONG GUIDE CHANNELS TO FILL OPENING.)



C-913 GUIDE



#10 X 1-3/4"
FLAT HEAD
SCREWS
(2 SUPPLIED
PER C-913 GUIDE)



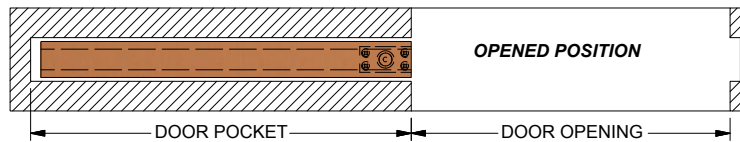
C-913-2 DOUBLE ROLLER GUIDE



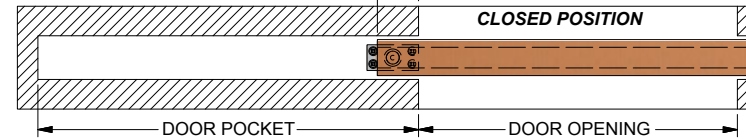
#10 X 1-3/4"
FLAT HEAD
SCREWS
(4 SUPPLIED
PER C-913-2 DOUBLE
ROLLER GUIDE)

TYPICAL INSTALLATION LOCATION FOR FLOOR GUIDES: POCKET DOOR APPLICATION

GUIDE CHANNEL IN DOOR WITH GUIDE ON FLOOR FOR POCKET DOOR APPLICATIONS ILLUSTRATED BELOW:

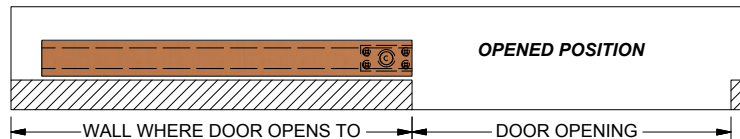


TYPICAL MINIMUM OVERLAP
IN POCKET: 2 in [50.8 mm]

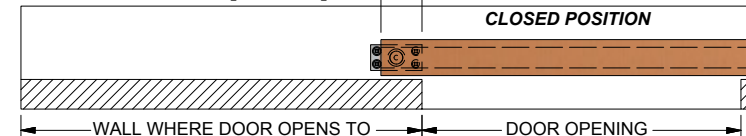


TYPICAL INSTALLATION LOCATION FOR FLOOR GUIDES: BARN DOOR APPLICATION

GUIDE CHANNEL IN DOOR WITH GUIDE ON FLOOR FOR BARN DOOR APPLICATIONS ILLUSTRATED BELOW:



TYPICAL MINIMUM OVERLAP OF
DOOR ON WALL: 2 in [50.8 mm]



NOTE: IF USING THE C-913-2 DOUBLE ROLLER GUIDE, THE TYPICAL MINIMUM OVERLAP IS 4 in [101.6 mm]

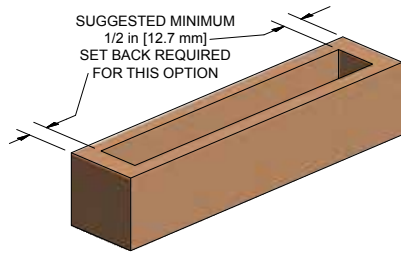
A PRODUCT OF K.N. CROWDER MFG. INC.

GUIDE SYSTEM INSTALLATION OPTION #1: GUIDE CHANNEL IN DOOR WITH GUIDE ON FLOOR

STEP #1:

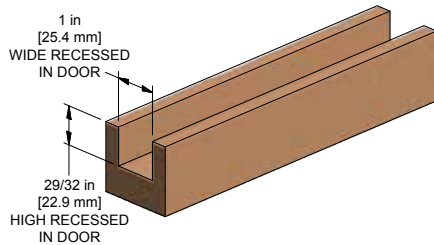
PREPARE BOTTOM OF DOOR ACCORDINGLY.

AESTHETIC NOTE: IF SUFFICIENT OVERLAP OF THE DOOR IS PROVIDED, GUIDE CHANNEL CAN BE RECESSED INTO THE DOOR WITHOUT CUTTING A SLOT THE FULL LENGTH OF THE DOOR. IF GUIDE CHANNEL WILL BE INSTALLED SHORT FROM THE EDGES, IT IS RECOMMENDED TO HAVE AT LEAST 1/2 in [12.7 mm] DOOR MATERIAL AT EACH END OF THE DOOR BEFORE THE START OF THE GUIDE CHANNEL SLOT.



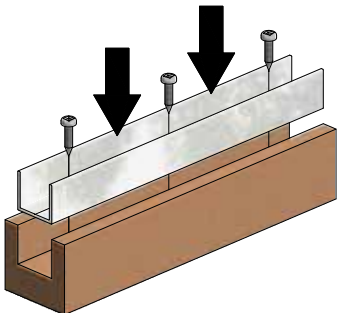
STEP #1 CONT'D

PREPARE C-914 GUIDE CHANNEL SLOT IN DOOR AT LEAST 1 in [25.4 mm] WIDE IN CENTER OF DOOR, AND AT LEAST 29/32 in [23 mm] DEEP. IT IS RECOMMENDED TO MAKE THE SLOT AS ACCURATE AS POSSIBLE FOR SECURE FIT AND NEAT APPEARANCE. SEE BELOW:



STEP #2

CUT C-914 ALUMINUM GUIDE CHANNEL TO CORRECT LENGTH AS REQUIRED. DRILL HOLES IN C-914 GUIDE CHANNEL AND PRE-DRILL HOLES IN DOOR. LOCATE CHANNEL IN SLOT PREVIOUSLY PREPARED ABOVE AND SCREW CHANNEL INTO PLACE WITH RECOMMENDED #8 X 3/4" PAN HEAD SCREWS (BY OTHERS).



STEP #3

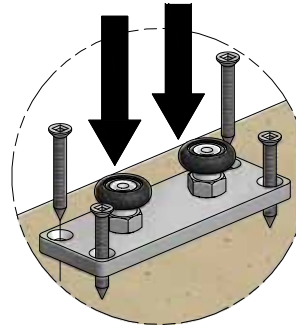
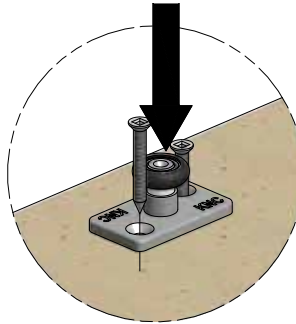
LOCATE C-913 GUIDE AS PER REQUIREMENT BASED ON THE SUGGESTIONS FOUND ON OPPOSITE SIDE AND SITE CONDITIONS AND SECURE TO FLOOR WITH #10 X 1-3/4" FLAT HEAD SCREWS (2).

OR

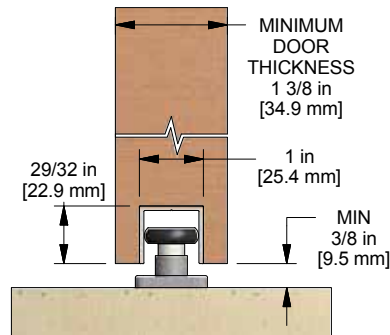
LOCATE C-913-2 DOUBLE ROLLER GUIDE AS PER REQUIREMENT BASED ON THE SUGGESTIONS FOUND ON OPPOSITE SIDE AND SITE CONDITIONS AND SECURE TO FLOOR WITH #10 X 1-3/4" FLAT HEAD SCREWS (4).

STEP #4

CONTINUE WITH PROJECT BY INSTALLING HANGERS AND PLACING DOOR INTO POSITION AS REQUIRED.



EXAMPLE OF FINISHED SET-UP SHOWN WITH DOOR



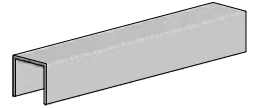
GUIDE SYSTEM INSTALLATION OPTION #2: GUIDE CHANNEL IN FLOOR WITH GUIDE(S) ON DOOR

STEP #1:

PREPARE SLOT IN FLOOR FOR C-914 GUIDE CHANNEL RECESSED IN FLOOR AS PER DIMENSION DETAILS ON OPPOSITE SIDE. GUIDE CHANNEL SHOULD BE FLUSH WITH FINISHED FLOOR.

STEP #2:

CUT C-914 GUIDE CHANNEL TO REQUIRED LENGTH FOR APPLICATION IF NECESSARY. PRE-DRILL HOLES INTO THE EXTRUSION. IT IS RECOMMENDED TO PRE-DRILL THE FLOOR WITH A SMALLER DRILL BIT THAN THE SCREW DIAMETER.



STEP #3:

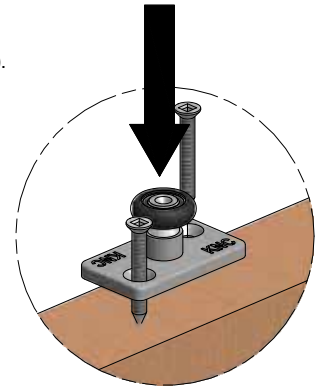
POSITION C-914 GUIDE CHANNEL IN FLOOR SLOT AND SECURE WITH RECOMMENDED #8 PAN HEADS OR FLAT HEAD SCREWS (BY OTHERS).

STEP #4:

LOCATE C-913 GUIDE AT LEAST 2 in [50.8 mm] FROM EACH EDGE OF THE DOOR. (IT IS RECOMMENDED TO USE TWO GUIDES PER DOOR FOR APPLICATIONS WITH GUIDE CHANNEL RECESSED IN FLOOR).

STEP #5:

SECURE GUIDES TO DOOR WITH #10 X 1-3/4" FLAT HEAD SCREWS (2). IT IS RECOMMENDED TO PRE-DRILL PILOT HOLES FOR THE SCREWS BEFORE SECURING GUIDES TO DOOR.



STEP #6

CONTINUE WITH PROJECT BY INSTALLING HANGERS AND PLACING DOOR INTO POSITION AS REQUIRED.

EXAMPLE OF FINISHED SET-UP SHOWN WITH DOOR

