

CRT-GSP

Single Round Bar Glass Door Pull

Installation Instructions

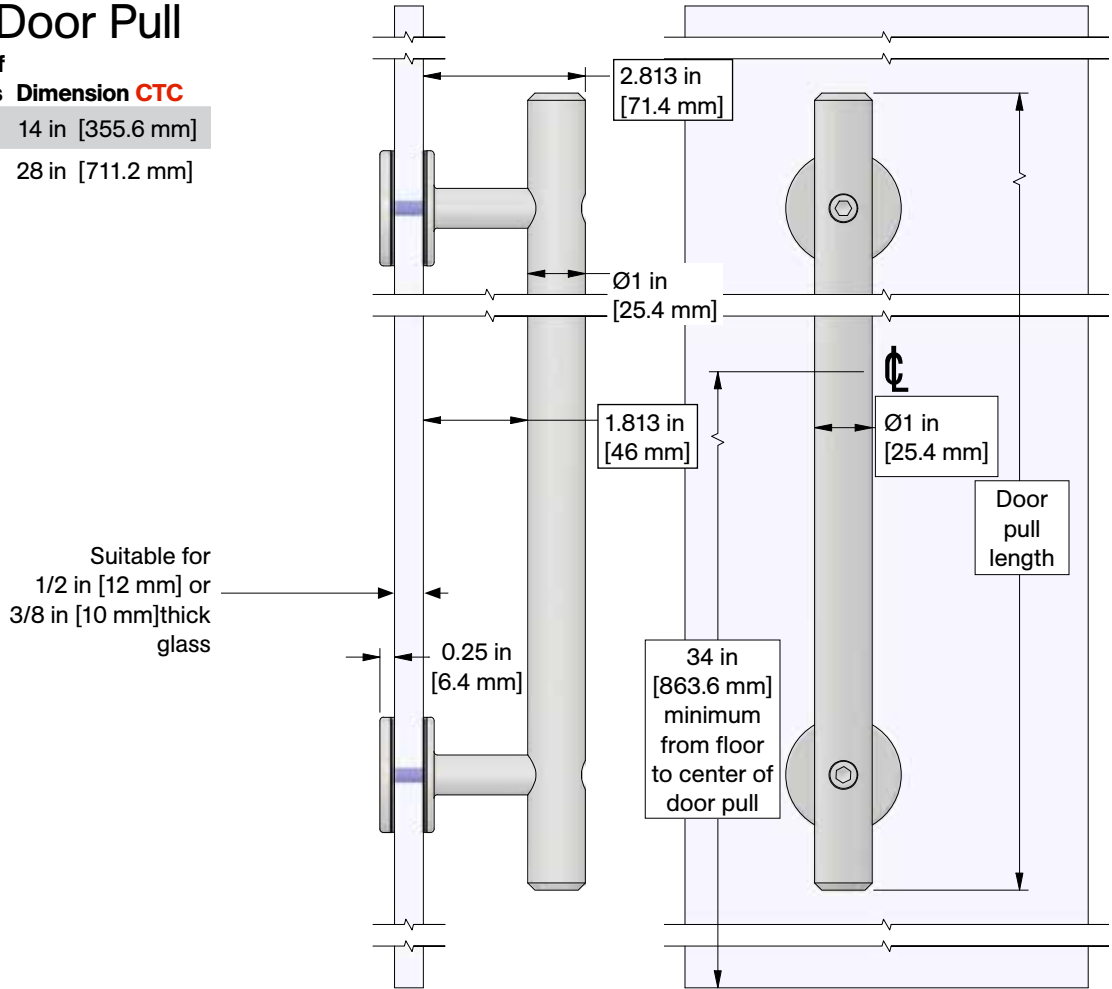
Door Thickness: 1/2 in [12 mm] to 3/8 in [10 mm]

Available in Ø1 in [25.4 mm] x 18 in [457.2 mm] or 36 in [914.4 mm] round bar door pull

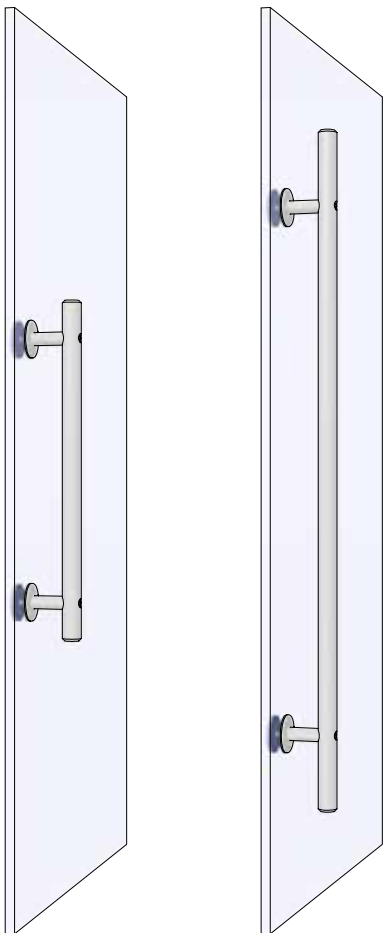
Center to Center Hole Spacing for Door Pull

Overall Pull Length	No. of Holes	Dimension CTC
18 in [457.2 mm]	2	14 in [355.6 mm]
36 in [914.4 mm]	2	28 in [711.2 mm]

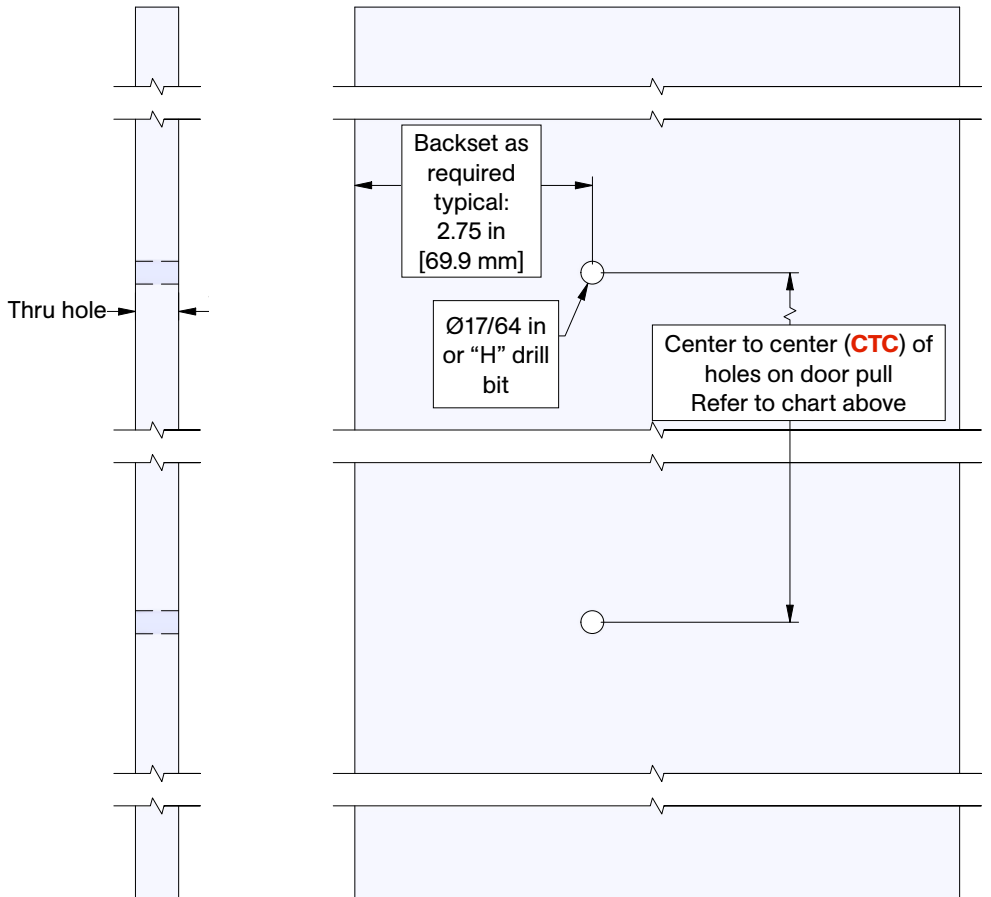
Product Dimension Details



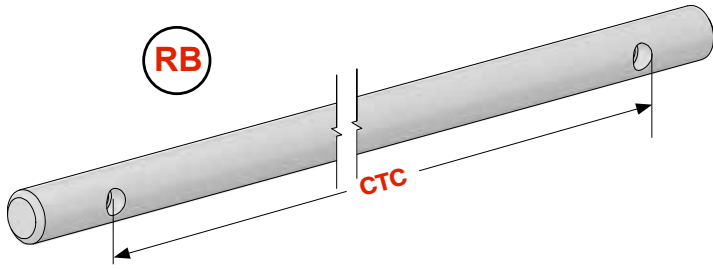
Door Prep Details



CRT-GSP18 (18 in [457.2 mm]) shown left
CRT-GSP36 (36 in [914.4 mm]) shown right



Parts List



CRT-RBDP-[door pull length] Round Bar Door Pull (1)
Door pull length, see chart right

Center to Center Hole Spacing for Door Pull

Overall Pull Length	No. of Holes	Dimension CTC
18 in [457.2 mm]	2	14 in [355.6 mm]
36 in [914.4 mm]	2	28 in [711.2 mm]



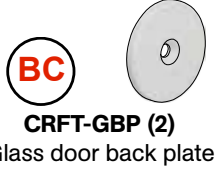
FC2
1/4-20 x 1 1/2" Flat Head
Socket Cap Screw (2)



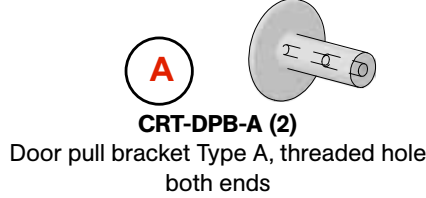
OR
CRFT-GWIR Rubber O-Ring (4)



SC
5/16-18 x 1" Socket Head Cap Screw (2)



BC
CRFT-GBP (2)
Glass door back plate



A
CRT-DPB-A (2)
Door pull bracket Type A, threaded hole
both ends

Assembly

