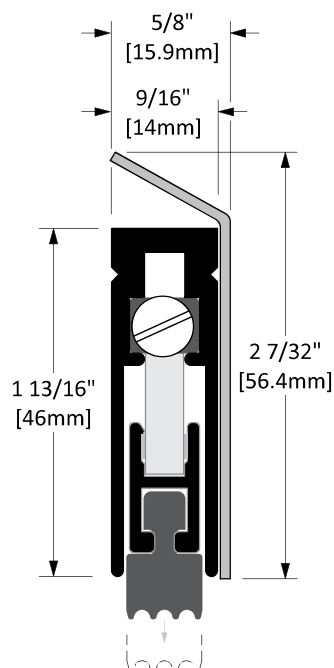


CT-50-SS



STD **Finish Options**
18 GA. 304 Stainless Steel 2B

Standard **Screw Options**
Screw Type: **J**
#10 X 1-1/2" Stainless Steel Truss Head, Robertson Drive, Type A Screws

Optional **Screw Options**
Screw Type: **K**
#10 X 1-1/2" Stainless Steel Button Head, Tamper-Resistant Torx Drive, Type A Screws

Operation	Automatic Door Bottom
Features	<ul style="list-style-type: none"> 18 GA. 304 SS. 2B Stainless Steel Cover Clear Anodized Extruded Aluminum with Neoprene Maximum effective drop: 5/8" (15.9mm)
Application	<ul style="list-style-type: none"> Ideal for Residential, Commercial & Industrial

Customer Name: _____ Job No./Name: _____ Date: _____ Provided By: _____

Notes: