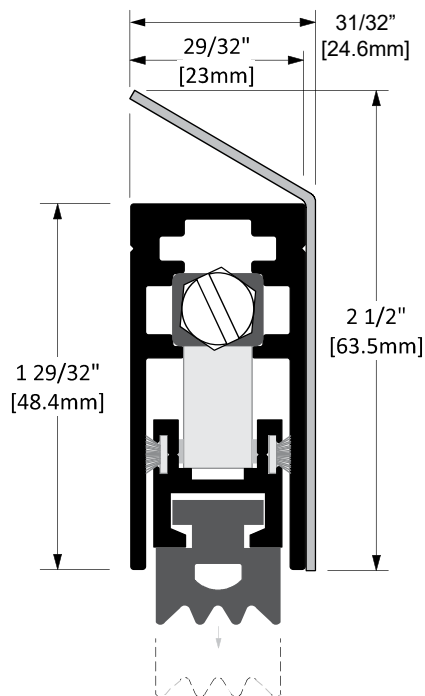


CT-52-SS



Operation	Automatic Door Bottom
Features	<ul style="list-style-type: none"> 18 GA. 304 SS. 2B Stainless Steel Cover Clear Anodized Extruded Aluminum with Neoprene Maximum effective drop: 11/16" (17.5mm)
Application	<ul style="list-style-type: none"> Ideal for Residential, Commercial & Industrial


Customer Name: _____ Job No./Name: _____ Date: _____ Provided By: _____


Notes:

Finish Options

STD 18 GA. 304 Stainless Steel 2B

Screw Options

Standard 
 Screw Type: **J**
 #10 X 1-1/2" Stainless Steel Truss Head, Robertson Drive, Type A Screws

Optional 
 Screw Type: **K**
 #10 X 1-1/2" Stainless Steel Button Head, Tamper-Resistant Torx Drive, Type A Screws