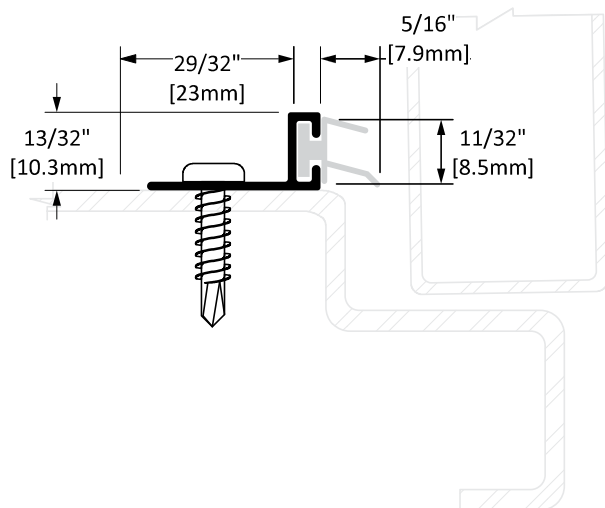


NEW

W-16F



STD
OPT

Finish Options

- Clear Anodized
- Bronze Anodized
- Black Anodized

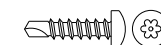
Standard

Screw Options



Screw Type: **A**
#8 X 3/4" Stainless Steel Pan Head,
Robertson Drive, Tek Screws

Optional



Screw Type: **B**
#8 X 3/4" Stainless Steel Pan Head,
Tamper-Resistant Torx Drive, Tek Screws

Operation	Weatherstrip
Features	<ul style="list-style-type: none"> • Clear Anodized Extruded Aluminum with Silicone
Application	<ul style="list-style-type: none"> • Ideal for Residential, Commercial & Industrial

Customer Name: _____ Job No./Name: _____ Date: _____ Provided By: _____

Notes: