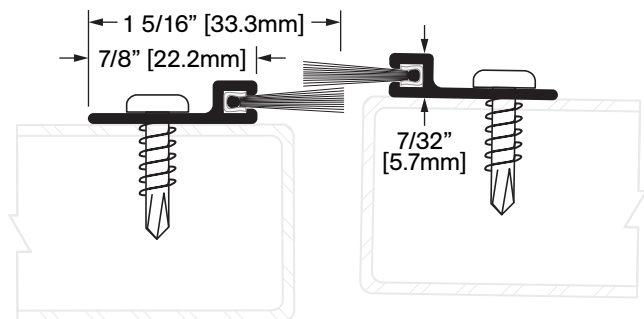


W-25



Operation: Astragal
Features: Clear Anodized Extruded Aluminum with Nylon Brush
Application: Ideal for Residential, Commercial & Industrial
Maximum Length: 120 in [3048 mm]

STD

FINISHES

Clear Anodized

Bronze Anodized

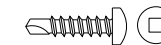
OPT

Black Anodized

Special _____

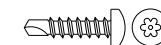
Standard

SCREW OPTIONS



Screw Type: A
 #8 X 3/4" Stainless Steel Pan Head,
 Robertson Drive, Tek Screws

Optional



Screw Type: B
 #8 X 3/4" Stainless Steel Pan Head,
 Tamper-Resistant Torx Drive, Tek Screws

Customer Name

Job No./Name

Date

Provided By:

Notes