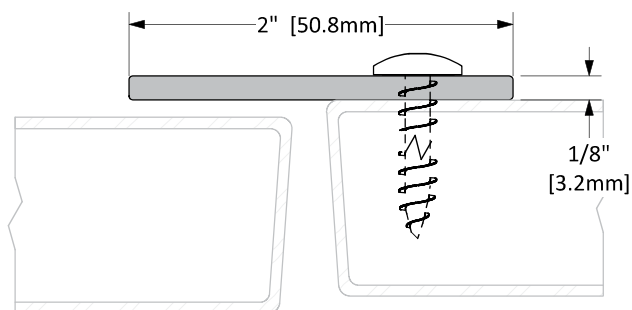


W-8-SS

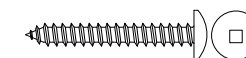


STD

Finish Options

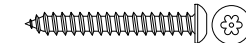
18 GA. 304 Stainless Steel 2B

Standard

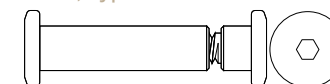


Screw Type: **J**
 #10 X 1-1/2" Stainless Steel Truss Head,
 Robertson Drive, Type A Screws

Optional



Screw Type: **K**
 #10 X 1-1/2" Stainless Steel Button
 Head, Tamper-Resistant Torx
 Drive, Type A Screws



Screw Type: **L**
 WC-USB Custom Stainless Steel Hex
 Drive, Universal Connector Bolt Ø3/8" Or
 "V" Drill Bit Clearance Hole Required

Operation	Astragal
Features	<ul style="list-style-type: none"> Stainless Steel
Application	<ul style="list-style-type: none"> Ideal for Residential, Commercial & Industrial

Customer Name:

Job No./Name:

Date:

Provided By:

Notes: